

Tab & Cover Termination



Figure A

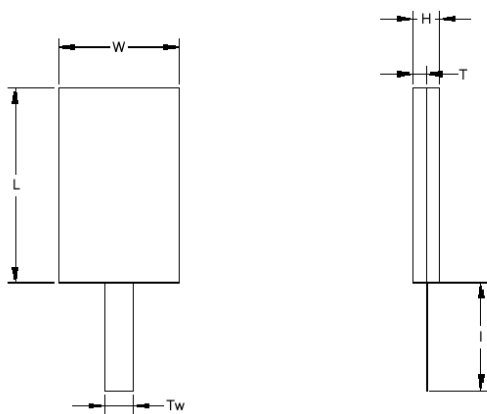
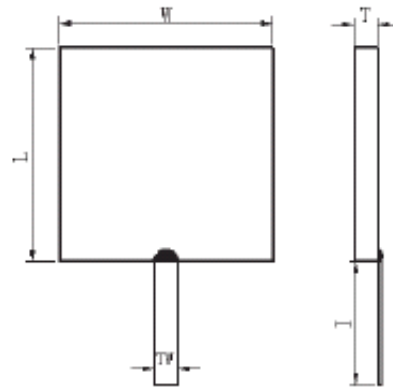


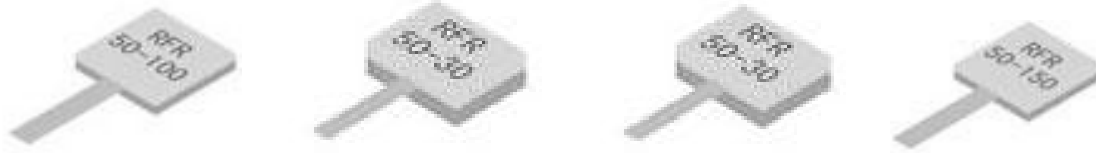
Figure B



Recommend mounting procedure:

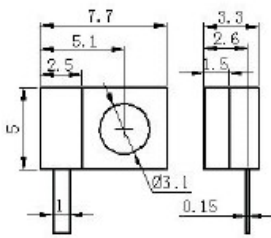
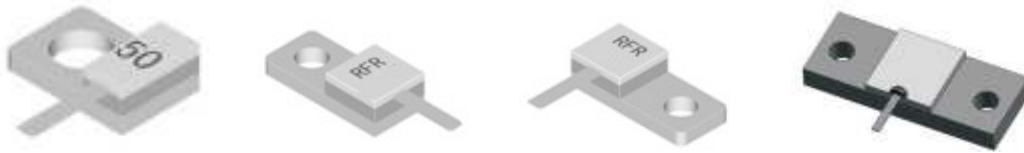
- 1, Solder part or tabs in place with controlled temperature iron (260°C).
- 2, Forming a small loop in the tab will act as a strain relief as the heat is dissipated.

Tab & Cover Termination

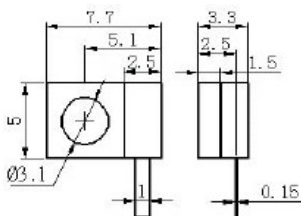


P/N	Power (W)	Frequency (GHz)	Resistance (Ω)	VSWR max	Size(mm)					
					W	L	T	H	I	Tw
AEMTT-3T	3	DC-6	50	1.20	2.5	3	1	1.8	4	1
AEMTT-5T	5	DC-6	50	1.20	2.5	3	1	1.8	4	1
AEMTT-10T	10	DC-12.4	50	1.20	2.5	3	1	1.8	4	1
AEMTT-20T3	20	DC-3	50	1.20	4	4	1	1.8	4	1
AEMTT-20T61	20	DC-6	50	1.20	2.5	5	1	1.8	4	1
AEMTT-20T62	20	DC-6	50	1.20	5	2.5	1	1.8	4	1
AEMTT-20T63	20	DC-6	50	1.25	4	4	1	1.8	4	1
AEMTT-20T18	20	DC-18	50	1.30	5	2.5	1	1.8	4	1
AEMTT-60T3	60	DC-3	50	1.20	6.35	6.35	1	1.8	6	1
AEMTT-60T6	60	DC-6	50	1.25	6	6	1	1.8	6	1
AEMTT-100TB	100	DC-3	50	1.20	8.9	5.7	1	1.8	6	1
AEMTT-150TB	150	DC-3	50	1.25	6.35	9.5	1	1.8	6	1
AEMTT-250TB1	250	DC-2.2	50	1.35	9.5	9.5	1	2.2	6	1
AEMTT-250TB2	250	DC-3	50	1.20	9.5	9.5	1	2.2	6	1
AEMTT-250TB3	250	DC-3	50	1.20	12.7	10	1.5	2.2	6	1.4
AEMTT-300TB	300	DC-3	50	1.25	12.7	12.7	1.5	2.2	8	1.4
AEMTT-500TB	500	DC-1.5	50	1.30	12.7	12.7	1.5	2.2	8	1.4

Flange Termination



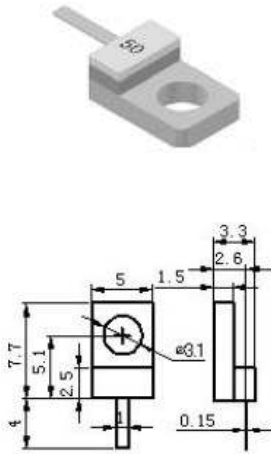
P/N	AEMFT50-5TLN-3	AEMFT50-5TLN-6
Power(W)	5	5
Frequency(GHz)	DC-3	DC-6
Resistance(Ω)	50 \pm 5%	50 \pm 5%
VSWR	1.15	1.25
Lead Length(mm)	4	4



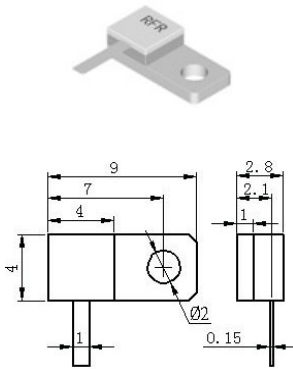
P/N	AEMFT50-5TRN-3	AEMFT50-5TRN-6
Power(W)	5	5
Frequency(GHz)	DC-3	DC-6
Resistance(Ω)	50 \pm 5%	50 \pm 5%
VSWR	1.15	1.25
Lead Length(mm)	4	4



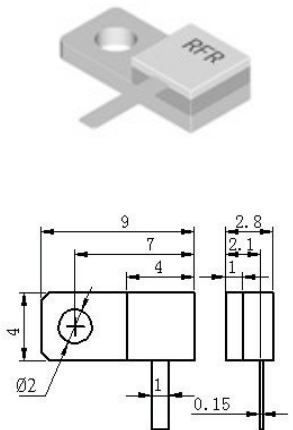
RF Termination



P/N	AEMFT50-5TIN-3	AEMFT50-5TIN-6
Power(W)	5	5
Frequency(GHz)	DC-3	DC-6
Resistance(Ω)	50 \pm 5%	50 \pm 5%
VSWR	1.20	1.30
Lead Length(mm)	4	4



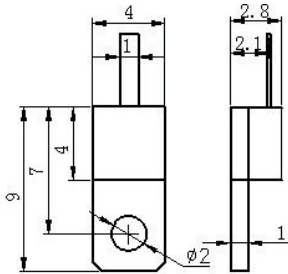
P/N	AEMFT50-5TLA-3	AEMFT50-5TLA-4	AEMFT50-5TLA-6
Power(W)	5	5	5
Frequency(GHz)	DC-3	DC-4	DC-6
Resistance(Ω)	50 \pm 5%	50 \pm 5%	50 \pm 5%
VSWR	1.15	1.20	1.30
Lead Length(mm)	4	4	4



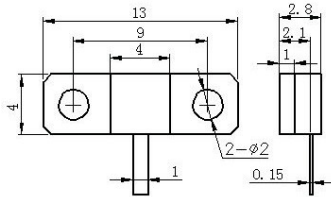
P/N	AEMFT50-5TRA-3	AEMFT50-5TRA-4	AEMFT50-5TRA-6
Power(W)	5	5	5
Frequency(GHz)	DC-3	DC-4	DC-6
Resistance(Ω)	50 \pm 5%	50 \pm 5%	50 \pm 5%
VSWR	1.15	1.20	1.30
Lead Length(mm)	4	4	4



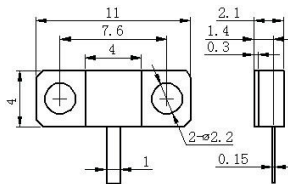
RF Termination



P/N	AEMFT50-5TIA-3	AEMFT50-5TIA-4	AEMFT50-5TIA-6
Power(W)	5	5	5
Frequency(GHz)	DC-3	DC-4	DC-6
Resistance(Ω)	50 \pm 5%	50 \pm 5%	50 \pm 5%
VSWR	1.15	1.20	1.30
Lead Length(mm)	4	4	4



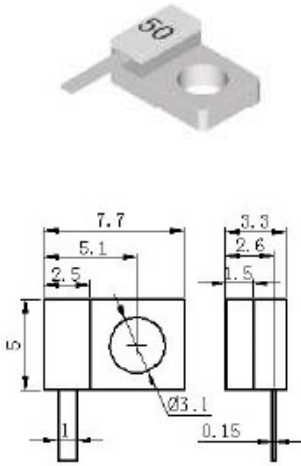
P/N	AEMFT50-5TBE-3	AEMFT50-5TBE-4	AEMFT50-5TBE-6
Power(W)	5	5	5
Frequency(GHz)	DC-3	DC-4	DC-6
Resistance(Ω)	50 \pm 5%	50 \pm 5%	50 \pm 5%
VSWR	1.15	1.20	1.30
Lead Length(mm)	4	4	4



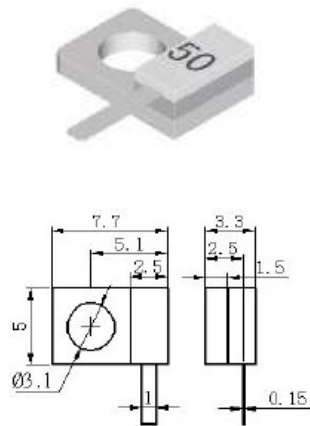
P/N	AEMFT50-5TBAG-3	AEMFT50-5TBAG-4	AEMFT50-5TBAG-6
Power(W)	5	5	5
Frequency(GHz)	DC-3	DC-4	DC-6
Resistance(Ω)	50 \pm 5%	50 \pm 5%	50 \pm 5%
VSWR	1.15	1.20	1.30
Lead Length(mm)	4	4	4



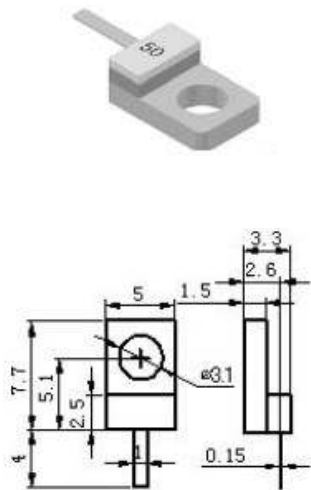
RF Termination



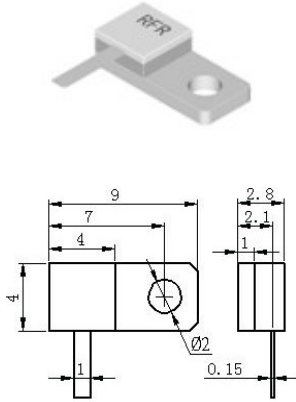
P/N	AEMFT50-10TLN-3	AEMFT50-10TLN-6
Power(W)	10	10
Frequency(GHz)	DC-3	DC-6
Resistance(Ω)	50 \pm 5%	50 \pm 5%
VSWR	1.15	1.25
Lead Length(mm)	4	4



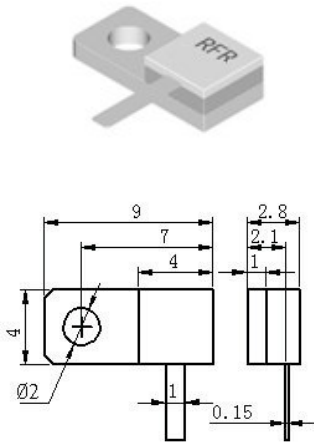
P/N	AEMFT50-10TRN-3	AEMFT50-10TRN-6
Power(W)	10	10
Frequency(GHz)	DC-3	DC-6
Resistance(Ω)	50 \pm 5%	50 \pm 5%
VSWR	1.15	1.25
Lead Length(mm)	4	4



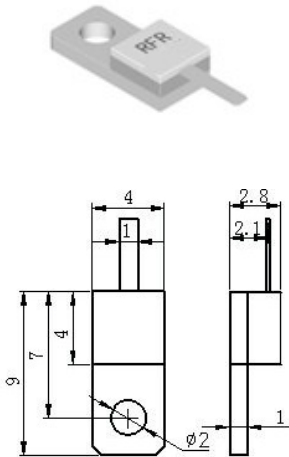
P/N	AEMFT50-10TIN-3	AEMFT50-10TIN-6
Power(W)	10	10
Frequency(GHz)	DC-3	DC-6
Resistance(Ω)	50 \pm 5%	50 \pm 5%
VSWR	1.20	1.30
Lead Length(mm)	4	4



P/N	AEMFT50-10TLA-3	AEMFT50-10TLA-4	AEMFT50-10TLA-6
Power(W)	10	10	10
Frequency(GHz)	DC-3	DC-4	DC-6
Resistance(Ω)	50 \pm 5%	50 \pm 5%	50 \pm 5%
VSWR	1.15	1.20	1.30
Lead Length(mm)	4	4	4



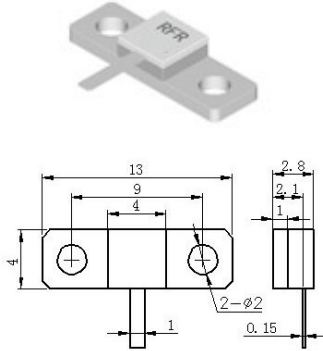
P/N	AEMFT50-10TRA-3	AEMFT50-10TRA-4	AEMFT50-10TRA-6
Power(W)	10	10	10
Frequency(GHz)	DC-3	DC-4	DC-6
Resistance(Ω)	50 \pm 5%	50 \pm 5%	50 \pm 5%
VSWR	1.15	1.20	1.30
Lead Length(mm)	4	4	4



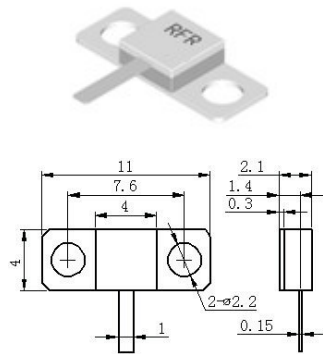
P/N	AEMFT50-10TIA-3	AEMFT50-10TIA-4	AEMFT50-10TIA-6
Power(W)	10	10	10
Frequency(GHz)	DC-3	DC-4	DC-6
Resistance(Ω)	50 \pm 5%	50 \pm 5%	50 \pm 5%
VSWR	1.15	1.20	1.30
Lead Length(mm)	4	4	4



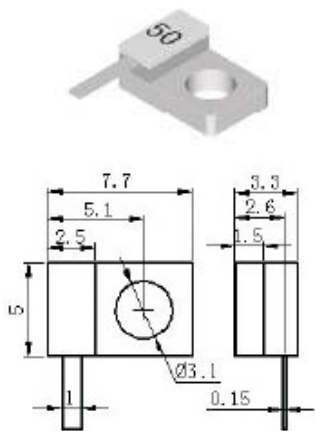
RF Termination



P/N	AEMFT50-10TBE-3	AEMFT50-10TBE-4	AEMFT50-10TBE-6
Power(W)	10	10	10
Frequency(GHz)	DC-3	DC-4	DC-6
Resistance(Ω)	50 \pm 5%	50 \pm 5%	50 \pm 5%
VSWR	1.15	1.2	1.30
Lead Length(mm)	4	4	4



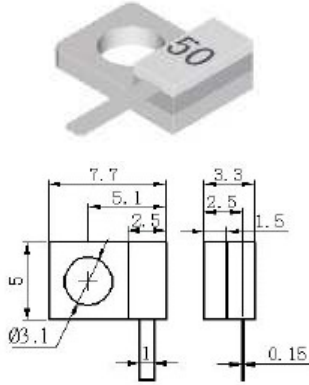
P/N	AEMFT50-10TBAG-3	AEMFT50-10TBAG-4	AEMFT50-10TBAG-6
Power(W)	10	10	10
Frequency(GHz)	DC-3	DC-4	DC-6
Resistance(Ω)	50 \pm 5%	50 \pm 5%	50 \pm 5%
VSWR	1.15	1.20	1.30
Lead Length(mm)	4	4	4



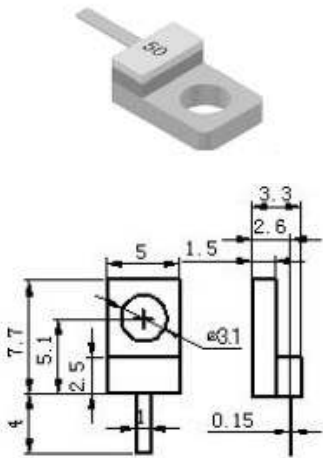
P/N	AEMFT50-20TLN-3	AEMFT50-20TLN-6
Power(W)	20	20
Frequency(GHz)	DC-3	DC-6
Resistance(Ω)	50 \pm 5%	50 \pm 5%
VSWR	1.15	1.25
Lead Length(mm)	4	4



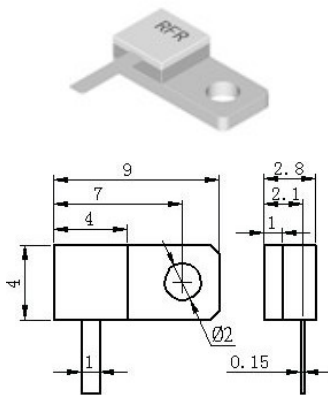
RF Termination



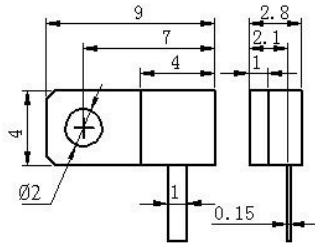
P/N	AEMFT50-20TRN-3	AEMFT50-20TRN-6
Power(W)	20	20
Frequency(GHz)	DC-3	DC-6
Resistance(Ω)	50 \pm 5%	50 \pm 5%
VSWR	1.15	1.25
Lead Length(mm)	4	4



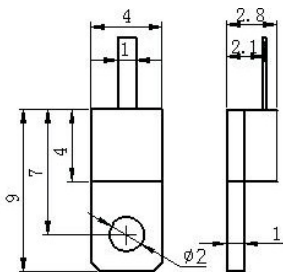
P/N	AEMFT50-20TIN-3	AEMFT50-20TIN-6
Power(W)	20	20
Frequency(GHz)	DC-3	DC-6
Resistance(Ω)	50 \pm 5%	50 \pm 5%
VSWR	1.20	1.30
Lead Length(mm)	4	4



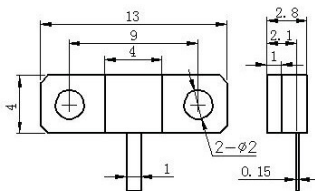
P/N	AEMFT50-20TLA-3	AEMFT50-20TLA-4	AEMFT50-20TLA-6
Power(W)	20	20	20
Frequency(GHz)	DC-3	DC-4	DC-6
Resistance(Ω)	50 \pm 5%	50 \pm 5%	50 \pm 5%
VSWR	1.15	1.20	1.30
Lead Length(mm)	4	4	4



P/N	AEMFT50-20TRA-3	AEMFT50-20TRA-4	AEMFT50-20TRA-6
Power(W)	10	10	10
Frequency(GHz)	DC-3	DC-4	DC-6
Resistance(Ω)	50 \pm 5%	50 \pm 5%	50 \pm 5%
VSWR	1.15	1.20	1.30
Lead Length(mm)	4	4	4



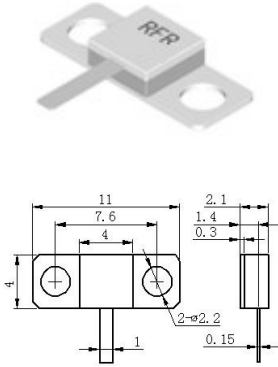
P/N	AEMFT50-20TIA-3	AEMFT50-20TIA-4	AEMFT50-20TIA-6
Power(W)	20	20	20
Frequency(GHz)	DC-3	DC-4	DC-6
Resistance(Ω)	50 \pm 5%	50 \pm 5%	50 \pm 5%
VSWR	1.15	1.20	1.30
Lead Length(mm)	4	4	4



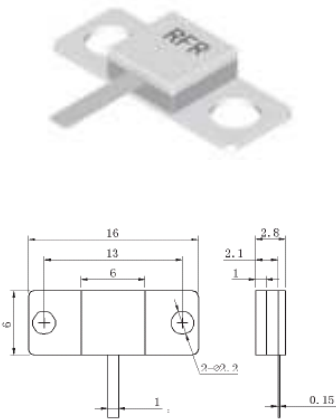
P/N	AEMFT50-20TBE-3	AEMFT50-20TBE-4	AEMFT50-20TBE-6
Power(W)	20	20	20
Frequency(GHz)	DC-3	DC-4	DC-6
Resistance(Ω)	50 \pm 5%	50 \pm 5%	50 \pm 5%
VSWR	1.15	1.20	1.30
Lead Length(mm)	4	4	4



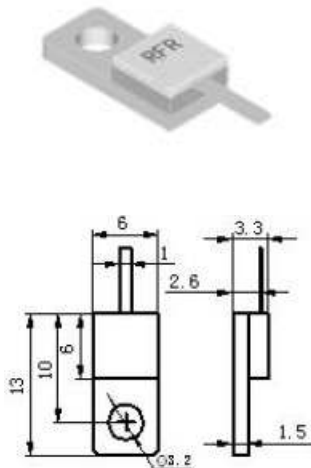
RF Termination



P/N	AEMFT50-20TBAG-3	AEMFT50-20TBAG-4	AEMFT50-20TBAG-6
Power(W)	20	20	20
Frequency(GHz)	DC-3	DC-4	DC-6
Resistance(Ω)	50 \pm 5%	50 \pm 5%	50 \pm 5%
VSWR	1.15	1.20	1.30
Lead Length(mm)	4	4	4



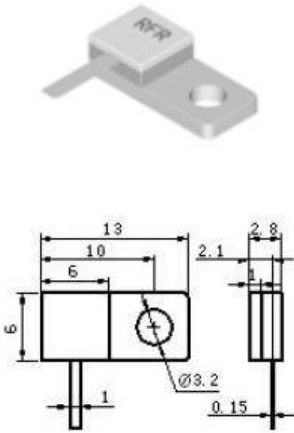
P/N	AEMFT50-30TBP-3	AEMFT50-30TBP-5	AEMFT50-30TBP-6
Power(W)	30	30	30
Frequency(GHz)	DC-3	DC-5	DC-6
Resistance(Ω)	50 \pm 5%	50 \pm 5%	50 \pm 5%
VSWR	1.10	1.15	1.25
Lead Length(mm)	6		6



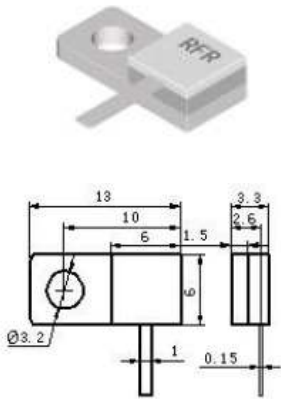
P/N	AEMFT50-30TIJ-3	AEMFT50-30TIJ-5	AEMFT50-30TIJ-6
Power(W)	30	30	30
Frequency(GHz)	DC-3	DC-5	DC-6
Resistance(Ω)	50 \pm 5%	50 \pm 5%	50 \pm 5%
VSWR	1.10	1.15	1.25
Lead Length(mm)	6	6	6



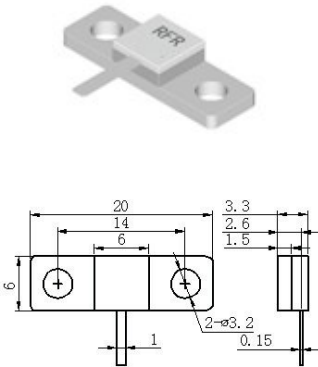
RF Termination



P/N	AEMFT50-30TLJ-3	AEMFT50-30TLJ-5	AEMFT50-30TLJ-6
Power(W)	30	30	30
Frequency(GHz)	DC-3	DC-5	DC-6
Resistance(Ω)	50 \pm 5%	50 \pm 5%	50 \pm 5%
VSWR	1.10	1.15	1.20
Lead Length(mm)	6	6	6



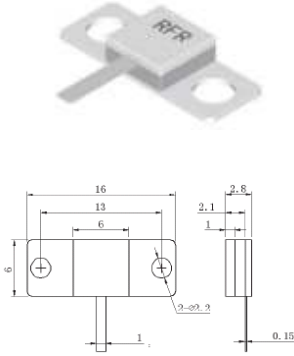
P/N	AEMFT50-30TRJ-3	AEMFT50-30TRJ-5	AEMFT50-30TRJ-6
Power(W)	30	30	30
Frequency(GHz)	DC-3	DC-5	DC-6
Resistance(Ω)	50 \pm 5%	50 \pm 5%	50 \pm 5%
VSWR	1.10	1.15	1.20
Lead Length(mm)	6	6	6



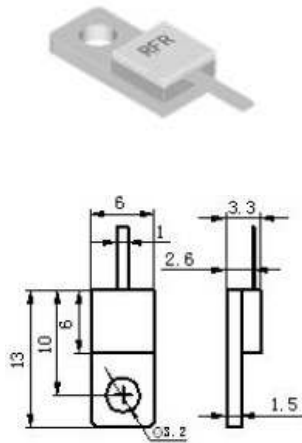
P/N	AEMFT50-30TBR-3	AEMFT50-30TBR-5	AEMFT50-30TBR-6
Power(W)	30	30	30
Frequency(GHz)	DC-3	DC-5	DC-6
Resistance(Ω)	50 \pm 5%	50 \pm 5%	50 \pm 5%
VSWR	1.10	1.15	1.20
Lead Length(mm)	6	6	6



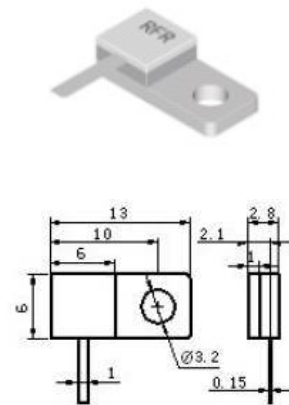
RF Termination



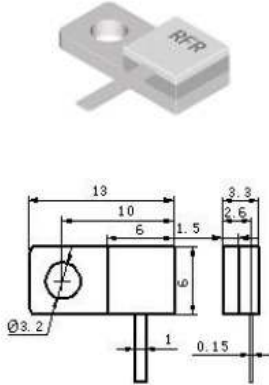
P/N	AEMFT50-60TBP-3	AEMFT50-60TBP-5	AEMFT50-60TBP-6
Power(W)	60	60	30
Frequency(GHz)	DC-3	DC-5	DC-6
Resistance(Ω)	50 \pm 5%	50 \pm 5%	50 \pm 5%
VSWR	1.10	1.15	1.25
Lead Length(mm)	6	6	6



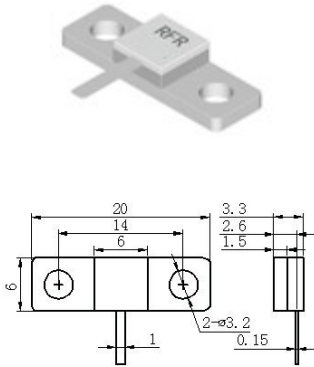
P/N	AEMFT50-60TIJ-3	AEMFT50-60TIJ-5	AEMFT50-60TIJ-6
Power(W)	60	60	60
Frequency(GHz)	DC-3	DC-	DC-6
Resistance(Ω)	50 \pm 5%	50 \pm 5%	50 \pm 5%
VSWR	1.10	1.15	1.25
Lead Length(mm)	6	6	6



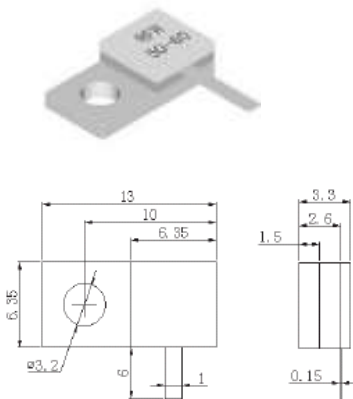
P/N	AEMFT50-60TLJ-3	AEMFT50-60TLJ-5	AEMFT50-60TLJ-6
Power(W)	60	60	60
Frequency(GHz)	DC-3	DC-5	DC-6
Resistance(Ω)	50 \pm 5%	50 \pm 5%	50 \pm 5%
VSWR	1.10	1.15	1.20
Lead Length(mm)	6	6	6



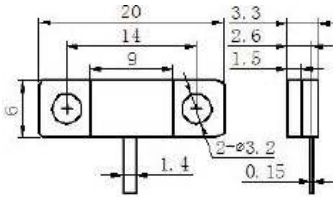
P/N	AEMFT50-60TRJ-3	AEMFT50-60TRJ-5	AEMFT50-60TRJ-6
Power(W)	60	60	60
Frequency(GHz)	DC-3	DC-5	DC-6
Resistance(Ω)	50 \pm 5%	50 \pm 5%	50 \pm 5%
VSWR	1.10	1.15	1.20
Lead Length(mm)	6	6	6



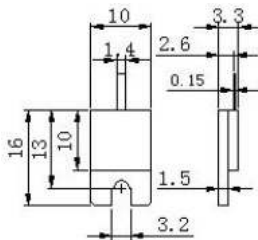
P/N	AEMFT50-60TBR-3	AEMFT50-60TBR-5	AEMFT50-60TBR-6
Power(W)	60	60	60
Frequency(GHz)	DC-3	DC-5	DC-6
Resistance(Ω)	50 \pm 5%	50 \pm 5%	50 \pm 5%
VSWR	1.10	1.15	1.20
Lead Length(mm)	6	6	6



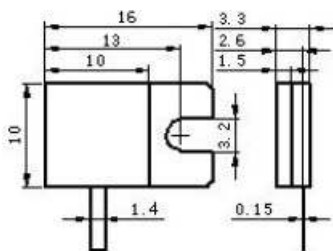
P/N	AEMFT50-60TRS-3	AEMFT50-60TRS-6
Power(W)	60	60
Frequency(GHz)	DC-3	DC-6
Resistance(Ω)	50 \pm 5%	50 \pm 5%
VSWR	1.20	1.25
Lead Length(mm)	6	6



P/N	AEMFT50-100TBR-3
Power(W)	100
Frequency(GHz)	DC-3
Resistance(Ω)	50 \pm 5%
VSWR	1.20
Lead Length(mm)	6



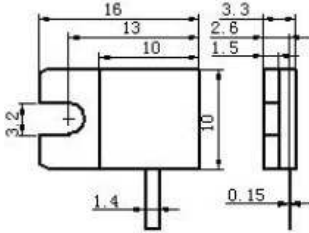
P/N	AEMFT50-100TIM-3
Power(W)	100
Frequency(GHz)	DC-3
Resistance(Ω)	50 \pm 5%
VSWR	1.15
Lead Length(mm)	6



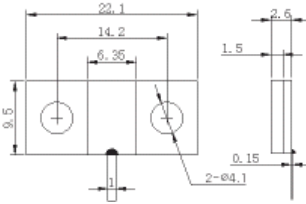
P/N	AEMFT50-100TLM-3
Power(W)	100
Frequency(GHz)	DC-3
Resistance(Ω)	50 \pm 5%
VSWR	1.15
Lead Length(mm)	6



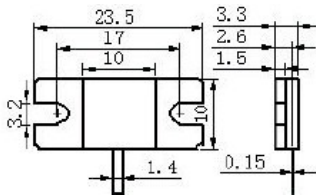
RF Termination



P/N	AEMFT50-100TRM-3
Power(W)	100
Frequency(GHz)	DC-3
Resistance(Ω)	50 \pm 5%
VSWR	1.15
Lead Length(mm)	6



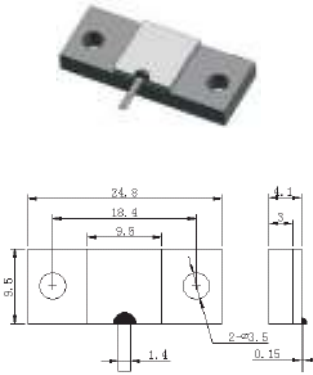
P/N	AEMFT50-150TBY1-3	AEMFT50-150TBY2-3
Power(W)	150	150
Frequency(GHz)	DC-3	DC-3
Resistance(Ω)	50 \pm 5%	50 \pm 2%
VSWR	1.20	1.20
Lead Length(mm)	6	6



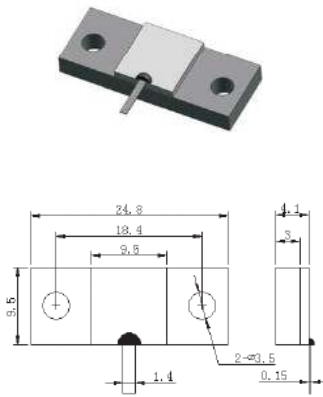
P/N	AEMFT50-150THE1-3	AEMFT50-150THE2-3
Power(W)	150	150
Frequency(GHz)	DC-3	DC-3
Resistance(Ω)	50 \pm 5%	50 \pm 2%
VSWR	1.15	1.15
Lead Length(mm)	6	6



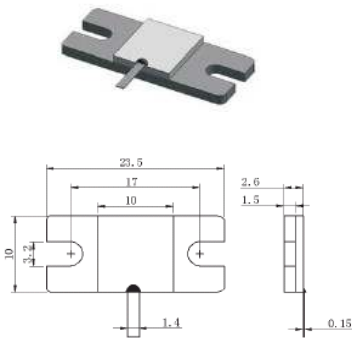
RF Termination



P/N	AEMFT50-250TBAH1-2	AEMFT50-250TBAH2-2
Power(W)	250	250
Frequency(GHz)	DC-2	DC-2
Resistance(Ω)	50 \pm 5%	50 \pm 2%
VSWR	1.20	1.20
Lead Length(mm)	6	6



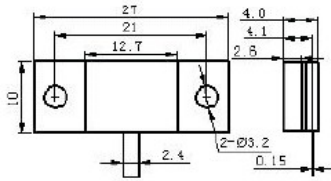
P/N	AEMFT50-250TBAH1-3	AEMFT50-250TBAH2-3
Power(W)	250	250
Frequency(GHz)	DC-3	DC-3
Resistance(Ω)	50 \pm 5%	50 \pm 2%
VSWR	1.20	1.20
Lead Length(mm)	6	6



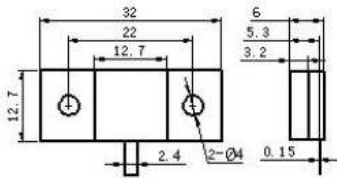
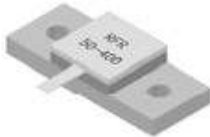
P/N	AEMFT50-250THE1-3	AEMFT50-250THE2-3
Power(W)	250	250
Frequency(GHz)	DC-3	DC-3
Resistance(Ω)	50 \pm 5%	50 \pm 2%
VSWR	1.20	1.20
Lead Length(mm)	6	6



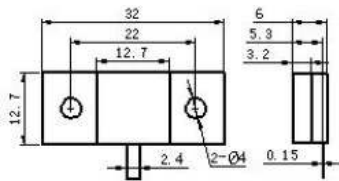
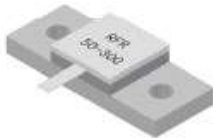
RF Termination



P/N	AEMFT50-250TBAB-3
Power(W)	250
Frequency(GHz)	DC-3
Resistance(Ω)	50 \pm 5%
VSWR	1.20
Lead Length(mm)	6



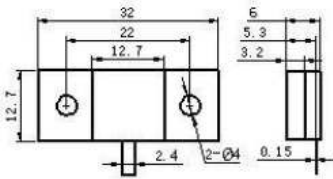
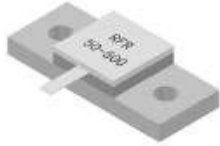
P/N	AEMFT50-200TBCH-9
Power(W)	200
Frequency(GHz)	DC-9
Resistance(Ω)	50 \pm 5%
VSWR	1.35
Lead Length(mm)	8



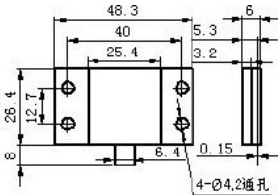
P/N	AEMFT50-300TBCH-3
Power(W)	300
Frequency(GHz)	DC-3
Resistance(Ω)	50 \pm 5%
VSWR	1.20
Lead Length(mm)	8



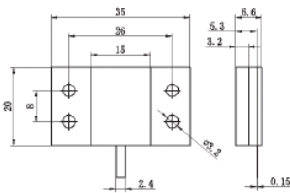
RF Termination



P/N	AEMFT50-400TBCH-2.2
Power(W)	300
Frequency(GHz)	DC-2.2
Resistance(Ω)	50 \pm 5%
VSWR	1.30
Lead Length(mm)	8



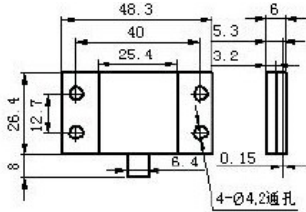
P/N	AEMFT50-500TEG-2
Power(W)	500
Frequency(GHz)	DC-2
Resistance(Ω)	50 \pm 5%
VSWR	1.20
Lead Length(mm)	8



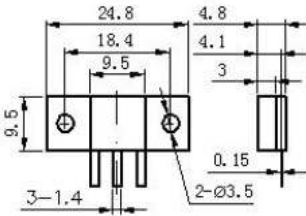
P/N	AEMFT50-500TEM-7
Power(W)	500
Frequency(GHz)	DC-7
Resistance(Ω)	50 \pm 5%
VSWR	1.30
Lead Length(mm)	8



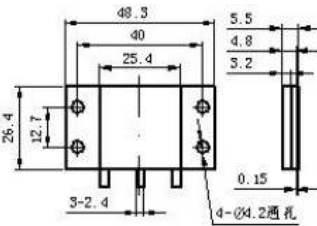
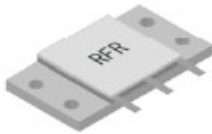
RF Termination



P/N	AEMFT50-800TEG-1.1
Power(W)	800
Frequency(GHz)	DC-1.1
Resistance(Ω)	50\pm5%
VSWR	1.20
Lead Length(mm)	8

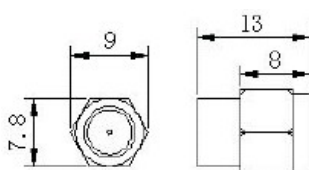


P/N	AEMFT50-60TBAH-0.5
Power(W)	60
Frequency(GHz)	DC-0.5
Resistance(Ω)	50\pm5%
Lead Length(mm)	6



P/N	AEMFT50-300TEG-0.5
Power(W)	300
Frequency(GHz)	DC-0.5
Resistance(Ω)	50\pm5%
Lead Length(mm)	6

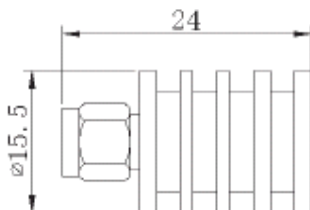
Coaxial Termination



P/N	Frequency (GHz)	Power (W)	VSWR	Resistance (Ω)	Connector
AEMCT-2RSB-3	DC-3	2	1.15	50	SMA-M
AEMCT-2RSB-8	DC-8		1.20		
AEMCT-2RSB-12.4	DC-12.4		1.20		
AEMCT-2RSB-18	DC-18		1.20		
AEMCT-2RSB-26.5	DC-26.5		1.30		

Notes:

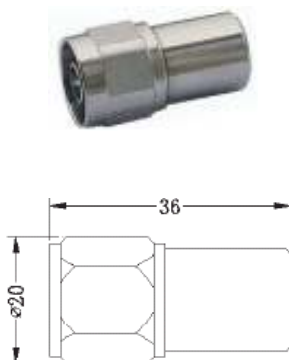
1. Size: $\Phi 9 \times 13$ mm
2. Weight: 3.2g



P/N	Frequency (GHz)	Power (W)	VSWR	Resistance (Ω)	Connector
AEMCT-2RSZ-3	DC-3	2	1.15	50	SMA-M
AEMCT-2RSZ-8	DC-8		1.20		
AEMCT-2RSZ-12.4	DC-12.4		1.20		
AEMCT-2RSZ-18	DC-18		1.20		
AEMCT-2RSZ-26.5	DC-26.5		1.30		

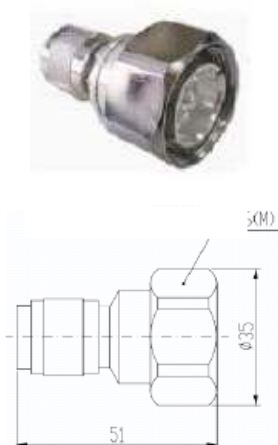
Notes:

1. Size: $\Phi 15.5 \times 24$ mm
2. Weight: 8.5g



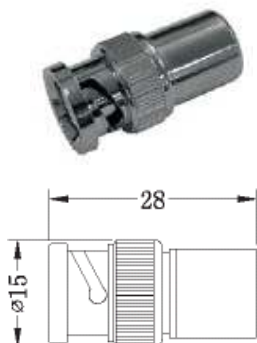
P/N	Frequency (GHz)	Power (W)	VSWR	Resistance (Ω)	Connector
AEMCT-2RN-3	DC-3	2	1.15	50	N-M
AEMCT-2RN-6	DC-6		1.20		
AEMCT-2RN-12.4	DC-12.4		1.25		
AEMCT-2RN-18	DC-18		1.30		

- Notes:
1. Size: $\Phi 20 \times 36\text{mm}$
 2. Weight: 44g



P/N	Frequency (GHz)	Power (W)	VSWR	Resistance (Ω)	Connector
AEMCT-2RD-3	DC-3	2	1.20	50	7/16-M
AEMCT-2RD-6	DC-6		1.25		

- Notes:
1. Size: $\Phi 35 \times 51\text{mm}$
 2. Weight: 125g



P/N	Frequency (GHz)	Power (W)	VSWR	Resistance (Ω)	Connector
AEMCT-2RB-3	DC-3	2	1.20	50	BNC-M
AEMCT-2RB-6	DC-6		1.25		

- Notes:
1. Size: $\Phi 15 \times 28\text{mm}$
 2. Weight: 17g



RF Termination

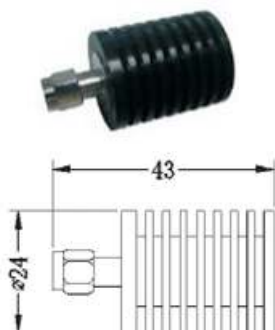


P/N	Frequency (GHz)	Power (W)	VSWR	Resistance (Ω)	Connector
AEMCT-2RT-3	DC-3	2	1.20	50	TNC-M
AEMCT-2RT-6	DC-6		1.25		

Notes:

1. Size: $\Phi 15 \times 28$ mm

2. Weight: 20g

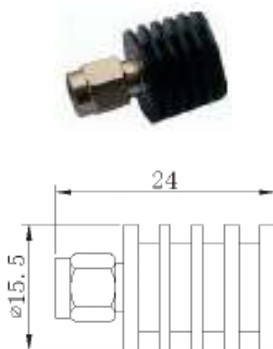


P/N	Frequency (GHz)	Power (W)	VSWR	Resistance (Ω)	Connector
AEMCT-5RS-3	DC-3	5	1.15	50	SMA-M
AEMCT-5RS-6	DC-6		1.25		

Notes:

1. Size: $\Phi 24 \times 43$ mm

2. Weight: 29g

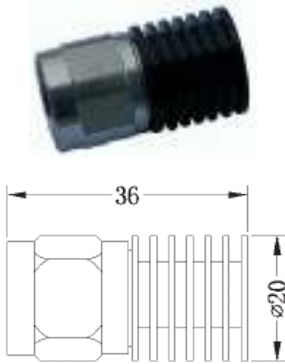


P/N	Frequency (GHz)	Power (W)	VSWR	Resistance (Ω)	Connector
AEMCT-5RSZ-3	DC-3	5	1.15	50	SMA-M
AEMCT-5RSZ-6	DC-6		1.15		
AEMCT-5RSZ-12.4	DC-12.4		1.20		
AEMCT-5RSZ-18	DC-18		1.20		
AEMCT-5RSZ-26.5	DC-26.5		1.30		

Notes:

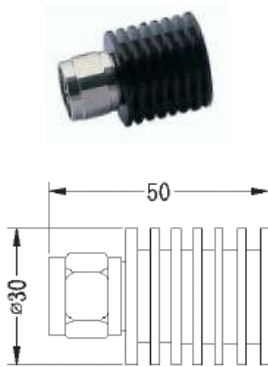
1. Size: $\Phi 15.5 \times 24$ mm

2. Weight: 8.5g



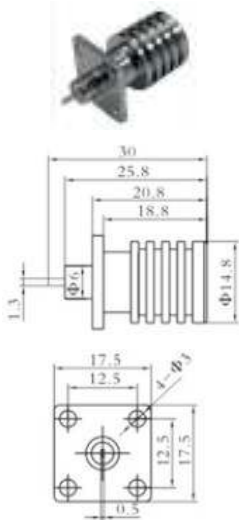
P/N	Frequency (GHz)	Power (W)	VSWR	Resistance (Ω)	Connector
AEMCT-5RN-3	DC-3	5	1.20	50	N-M
AEMCT-5RN-6	DC-6		1.20		
AEMCT-5RN-12.4	DC-12.4		1.20		
AEMCT-5RN-18	DC-18		1.35		

- Notes:
1. Size: $\Phi 20 \times 36\text{mm}$
 2. Weight: 34g



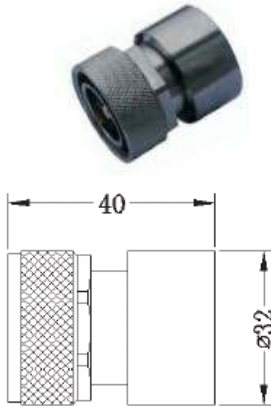
P/N	Frequency (GHz)	Power (W)	VSWR	Resistance (Ω)	Connector
AEMCT-5RNB-3	DC-3	5	1.20	50	N-M
AEMCT-5RNB-6	DC-6		1.20		
AEMCT-5RNB-12.4	DC-12.4		1.20		
AEMCT-5RNB-18	DC-18		1.35		

- Notes:
1. Size: $\Phi 30 \times 50\text{mm}$
 2. Weight: 62g



P/N	Frequency (GHz)	Power (W)	VSWR	Resistance (Ω)	Connector
AEMCT-5RF-3	DC-3	5	1.20	50	Flange
AEMCT-5RF-6	DC-6		1.25		

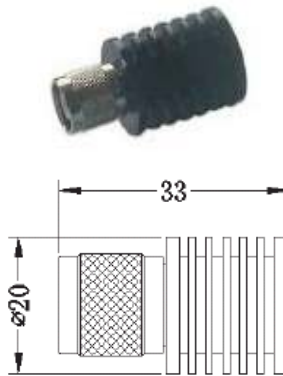
- Notes:
1. Size: $\Phi 14.8 \times 30\text{mm}$
 2. Weight: 18.5g



P/N	Frequency (GHz)	Power (W)	VSWR	Resistance (Ω)	Connector
AEMCT-5RD-3	DC-3	5	1.20	50	7/16-M
AEMCT-5RD-6	DC-6		1.30		

Notes:

1. Size: $\Phi 32 \times 40\text{mm}$
2. Weight: 143g



P/N	Frequency (GHz)	Power (W)	VSWR	Resistance (Ω)	Connector
AEMCT-5RT-3	DC-3	5	1.15	50	TNC-M
AEMCT-5RT-6	DC-6		1.25		

Notes:

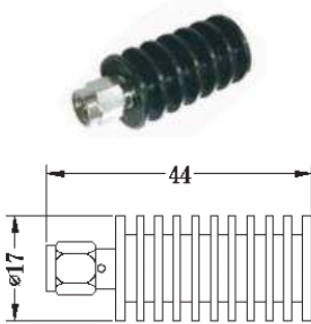
1. Size: $\Phi 20 \times 33\text{mm}$
2. Weight: 22g



P/N	Frequency (GHz)	Power (W)	VSWR	Resistance (Ω)	Connector
AEMCT-10RNB-3	DC-3	10	1.20	50	N-M
AEMCT-10RNB-6	DC-6		1.20		
AEMCT-10RNB-12.4	DC-12.4		1.25		
AEMCT-10RNB-18	DC-18		1.35		

Notes:

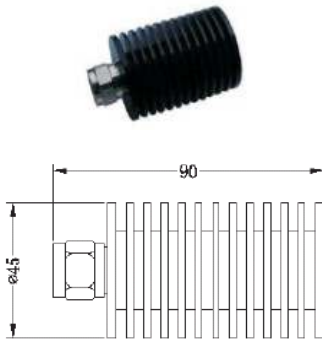
1. Size: $\Phi 35 \times 58\text{mm}$
2. Weight: 90g



P/N	Frequency (GHz)	Power (W)	VSWR	Resistance (Ω)	Connector
AEMCT-10RSZ-3	DC-3	10	1.15	50	SMA-M
AEMCT-10RSZ-6	DC-6		1.15		
AEMCT-10RSZ-12.4	DC-12.4		1.20		
AEMCT-10RSZ-18	DC-18		1.35		

Notes:

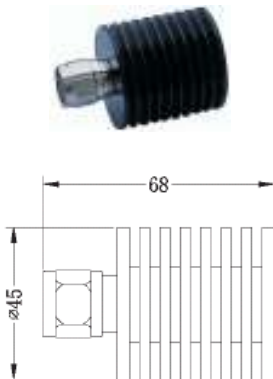
1. Size: $\Phi 17 \times 44$ mm
2. Weight: 16g



P/N	Frequency (GHz)	Power (W)	VSWR	Resistance (Ω)	Connector
AEMCT-25RND-3	DC-3	25	1.15	50	N-M
AEMCT-25RND-6	DC-6		1.20		
AEMCT-25RND-8	DC-8		1.25		

Notes:

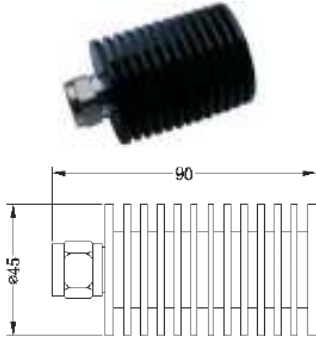
1. Size: $\Phi 45 \times 90$ mm
2. Weight: 198g



P/N	Frequency (GHz)	Power (W)	VSWR	Resistance (Ω)	Connector
AEMCT-25RNZ-3	DC-3	25	1.15	50	N-M
AEMCT-25RNZ-6	DC-6		1.15		
AEMCT-25RNZ-12.4	DC-12.4		1.20		
AEMCT-25RNZ-18	DC-18		1.35		
AEMCT-25RDZ-3	DC-3		1.15		7/16-M
AEMCT-25RDZ-6	DC-6		1.15		

Notes:

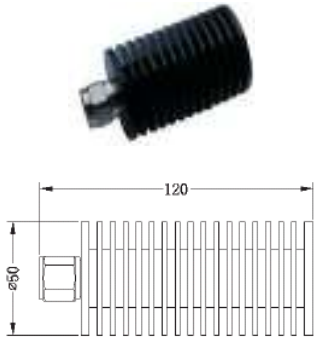
1. Size: $\Phi 45 \times 68$ mm
2. Weight: 132g



P/N	Frequency (GHz)	Power (W)	VSWR	Resistance (Ω)	Connector
AEMCT-30RNB-3	DC-3	30	1.15	50	N-M
AEMCT-30RNB-6	DC-6		1.25		
AEMCT-30RDB-3	DC-3		1.15		7/16-M
AEMCT-30RDB-6	DC-6		1.25		

Notes:

1. Size: $\Phi 45 \times 90$ mm
2. Weight: 200g



P/N	Frequency (GHz)	Power (W)	VSWR	Resistance (Ω)	Connector
AEMCT-50RNF-3	DC-3	50	1.15	50	N-M
AEMCT-50RNF-6	DC-6		1.20		
AEMCT-50RDF-3	DC-3		1.15		7/16-M
AEMCT-50RDF-6	DC-6		1.20		

Notes:

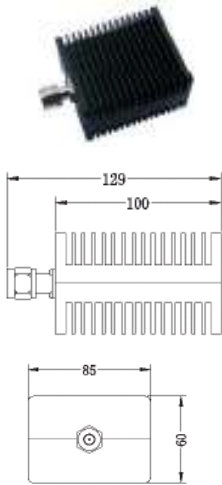
1. Size: $\Phi 50 \times 120$ mm
2. Weight: 330g



P/N	Frequency (GHz)	Power (W)	VSWR	Resistance (Ω)	Connector
AEMCT-50RNZ-3	DC-3	50	1.15	50	N-M
AEMCT-50RNZ-6	DC-6		1.15		
AEMCT-50RNZ-12.4	DC-12.4		1.20		
AEMCT-50RNZ-18	DC-18		1.35		

Notes:

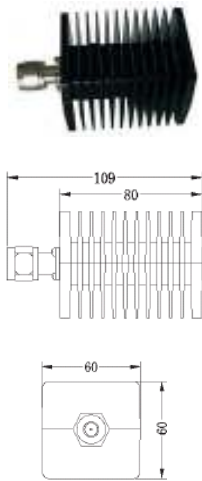
1. Size: $\Phi 45 \times 122$ mm
2. Weight: 245g



P/N	Frequency (GHz)	Power (W)	VSWR	Resistance (Ω)	Connector
AEMCT-50SN-3	DC-3	50	1.20	50	N-M
AEMCT-50SN-6	DC-6		1.25		
AEMCT-50SD-3	DC-3		1.20		7/16-M
AEMCT-50SD-6	DC-6		1.25		

Notes:

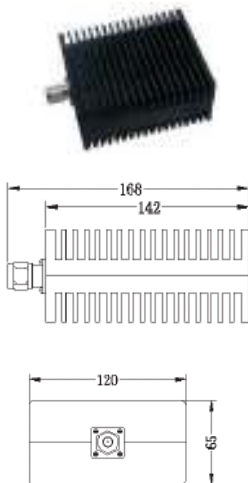
1. Size: 100 x 85 x 60mm
2. Weight: 740g



P/N	Frequency (GHz)	Power (W)	VSWR	Resistance (Ω)	Connector
AEMCT-50SNW-3	DC-3	50	1.20	50	N-M
AEMCT-50SNW-6	DC-6		1.25		
AEMCT-50SDW-3	DC-3		1.20		7/16-M
AEMCT-50SDW-6	DC-6		1.25		

Notes:

1. Size: 80 x 60 x 60mm
2. Weight: 378g



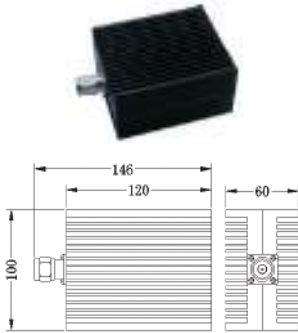
P/N	Frequency (GHz)	Power (W)	VSWR	Resistance (Ω)	Connector
AEMCT-100SN-3	DC-3	100	1.20	50	N-M
AEMCT-100SN-6	DC-6		1.25		
AEMCT-100SD-3	DC-3		1.20		7/16-M
AEMCT-100SD-6	DC-6		1.25		

Notes:

1. Size: 142 x 120 x 65mm
2. Weight: 1.9Kg



RF Termination



P/N	Frequency (GHz)	Power (W)	VSWR	Resistance (Ω)	Connector
AEMCT-100SNW-3	DC-3	100	1.20	50	N-M
AEMCT-100SNW-6	DC-6		1.25		
AEMCT-100SDW-3	DC-3		1.20		7/16-M
AEMCT-100SDW-6	DC-6		1.25		

Notes:

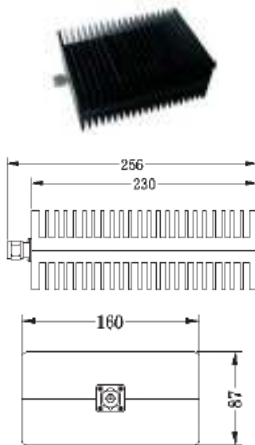
1. Size: 120 x 100 x 60mm
2. Weight: 1.3Kg



P/N	Frequency (GHz)	Power (W)	VSWR	Resistance (Ω)	Connector
AEMCT-100RNZ-4	DC-4	100	1.20	50	N-M
AEMCT-100RNZ-6	DC-6		1.25		
AEMCT-100RNZ-12.4	DC-12.4		1.30		
AEMCT-100RNZ-18	DC-18		1.40		

Notes:

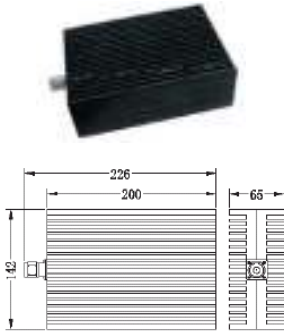
1. Size: Φ45 x 236mm
2. Weight: 473g



P/N	Frequency (GHz)	Power (W)	VSWR	Resistance (Ω)	Connector
AEMCT-200SN-3	DC-3	200	1.20	50	N-M
AEMCT-200SN-6	DC-6		1.25		
AEMCT-200SD-3	DC-3		1.20		7/16-M
AEMCT-200SD-6	DC-6		1.25		

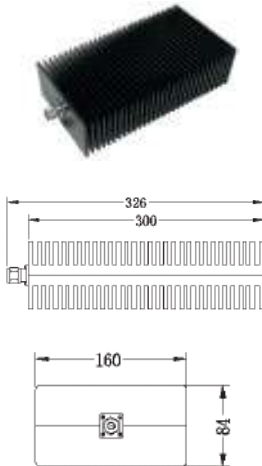
Notes:

1. Size: 230 x 160 x 87mm
2. Weight: 3.4Kg



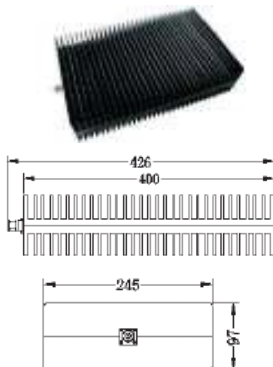
P/N	Frequency (GHz)	Power (W)	VSWR	Resistance (Ω)	Connector
AEMCT-200SNW-3	DC-3	200	1.20	50	N-M
AEMCT-200SNW-6	DC-6		1.25		
AEMCT-200SDW-3	DC-3		1.20		7/16-M
AEMCT-200SDW-6	DC-6		1.25		

- Notes:
1. Size: 200 x 142 x 65mm
 2. Weight: 3.1Kg



P/N	Frequency (GHz)	Power (W)	VSWR	Resistance (Ω)	Connector
AEMCT-300SN-3	DC-3	300	1.20	50	N-M
AEMCT-300SD-3	DC-3		1.20		7/16-M

- Notes:
1. Size: 300 x 160 x 84mm
 2. Weight: 5.8Kg



P/N	Frequency (GHz)	Power (W)	VSWR	Resistance (Ω)	Connector
AEMCT-500SN-3	DC-3	500	1.30	50	N-M
AEMCT-500SD-3	DC-3		1.30		7/16-M

- Notes:
1. Size: 400 x 245 x 97mm
 2. Weight: 10Kg



RF Termination



P/N	Frequency (GHz)	Power (W)	VSWR	Resistance (Ω)	Connector
AEMCT-1000SN-3	DC-3	1000	1.30	50	N-M
AEMCT-1000SD-3	DC-3		1.30		7/16-M



Notes:
1. Size: 400 x 410 x 97mm
2. Weight: 17Kg

Specification may change without notice