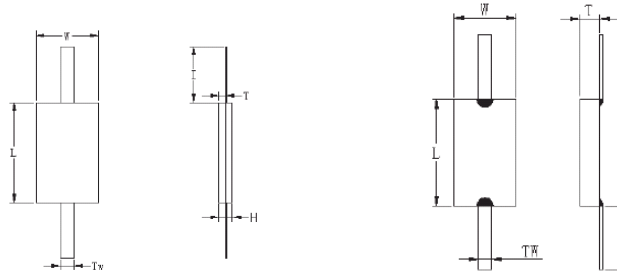


Tab & Cover Resistor

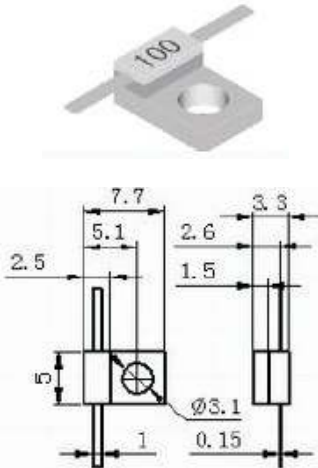


Figure B

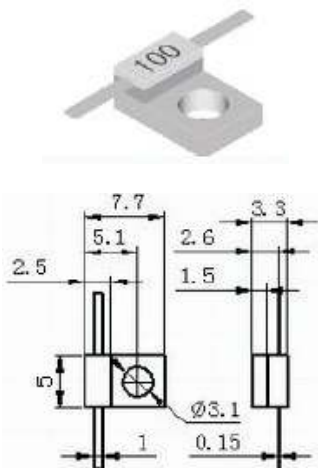


P/N	Power (W)	Frequency (GHz)	Resistance (Ω)	Size(mm)					
				W	L	T	H	I	Tw
AEMTR100-3R-3	3	DC-3	100	2.5	5	1	1.8	4	1
AEMTR100-5R-3	5	DC-3	100	2.5	5	1	1.8	4	1
AEMTR100-10R-3	10	DC-3	100	2.5	5	1	1.8	4	1
AEMTR100-20R-3	20	DC-3	100	2.5	5	1	1.8	4	1
AEMTR100-20R-4	20	DC-4	100	4	4	1	1.8	4	1
AEMTR100-30R-4	30	DC-4	100	6	6	1	1.8	6	1
AEMTR100-60R1-3	60	DC-3	100	6	6	1	1.8	6	1
AEMTR100-60R2-3	60	DC-3	100	6.35	6.35	1		6	1
AEMTR100-100R1-3	100	DC-3	100	9	6	1	1.8	6	1.4
AEMTR100-100R2-3	100	DC-3	100	8.9	5.7	1	1	6	1.4
AEMTR100-100R3-3	100	DC-3	100	10	10	1	1	6	1.4
AEMTR100-150R1-3	150	DC-3	100	6.35	9.5	1	1	6	1.4
AEMTR100-150R2-3	150	DC-3	100	6.35	9.5	1	1	6	1.4
AEMTR100-150R-4	150	DC-4	100	10	10	1	1	6	1.4
AEMTR100-200R-3	200	DC-3	100	9.5	9.5	1	1	6	1.4
AEMTR100-200R-2	200	DC-2	100	9.5	9.5	1	1	6	1.4
AEMTR100-250R-2	250	DC-2	100	10	10	1.5	1.5	6	2.4
AEMTR100-400R-2	400	DC-2	100	12.7	12.7	1	1	8	2.4
AEMTR100-500R-1	500	DC-1	100	12.7	12.7	1	1	8	2.4

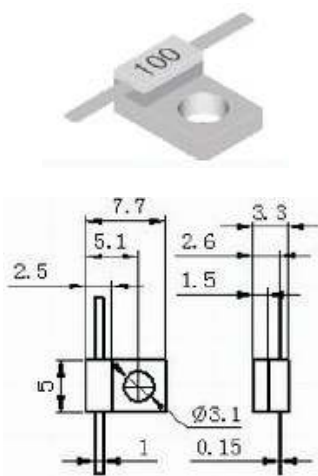
Flange Resistor



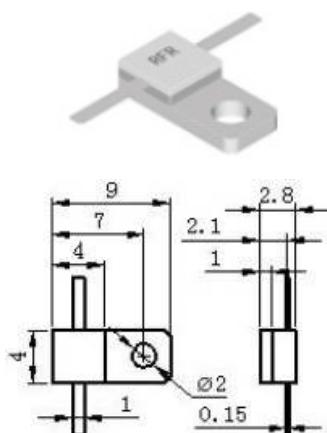
P/N	AEMFR50-5RDN-3	AEMFR100-5RDN-3
Power(W)	5	5
Substrate	BeO/AlN	BeO/AlN
Frequency(GHz)	DC-3	DC-3
Resistance(Ω)	50±5%	100±5%
Lead Length(mm)	4	4



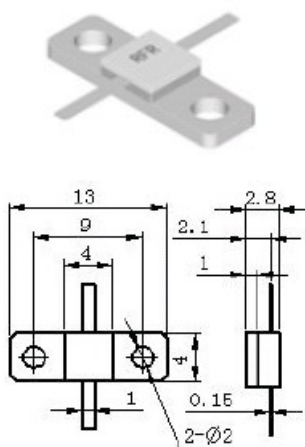
P/N	AEMFR50-10RDN-3	AEMFR100-10RDN-3
Power(W)	10	10
Substrate	BeO/AlN	BeO/AlN
Frequency(GHz)	DC-3	DC-3
Resistance(Ω)	50±5%	100±5%
Lead Length(mm)	4	4



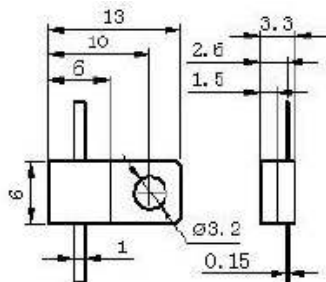
P/N	AEMFR50-20RDN-3	AEMFR100-20RDN-3
Power(W)	20	20
Substrate	BeO/AlN	BeO/AlN
Frequency(GHz)	DC-3	DC-3
Resistance(Ω)	50 \pm 5%	100 \pm 5%
Lead Length(mm)	4	4



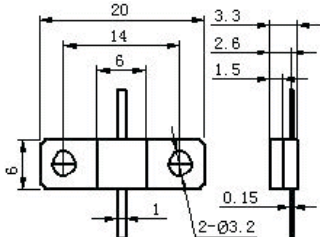
P/N	AEMFR50-20RDA-4	AEMFR100-20RDA-4
Power(W)	20	20
Substrate	BeO/AlN	BeO/AlN
Frequency(GHz)	DC-4	DC-4
Resistance(Ω)	50 \pm 5%	100 \pm 5%
Lead Length(mm)	4	4



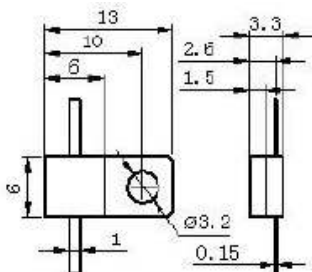
P/N	AEMFR50-20RBE-6	AEMFR100-20RBE-6
Power(W)	20	20
Substrate	BeO/AlN	BeO/AlN
Frequency(GHz)	DC-6	DC-6
Resistance(Ω)	50 \pm 5%	100 \pm 5%
Lead Length(mm)	4	4



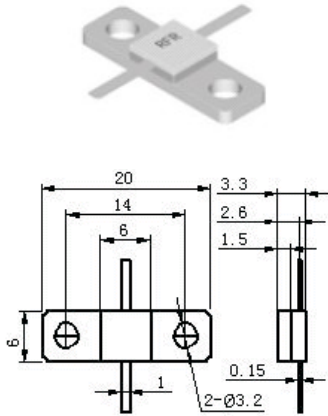
P/N	AEMFR50-30RDJ-4	AEMFR100-30RDJ-4
Power(W)	30	30
Substrate	BeO/AlN	BeO/AlN
Frequency(GHz)	DC-4	DC-4
Resistance(Ω)	50 \pm 5%	100 \pm 5%
Lead Length(mm)	6	6



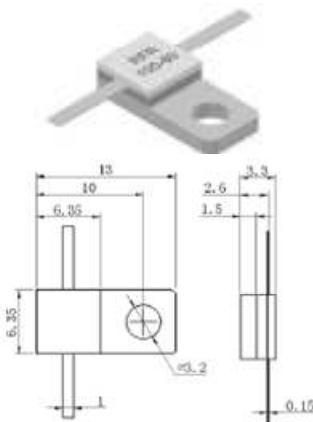
P/N	AEMFR50-30RBR-6	AEMFR100-30RBR-6
Power(W)	30	30
Substrate	BeO/AlN	BeO/AlN
Frequency(GHz)	DC-6	DC-6
Resistance(Ω)	50 \pm 5%	100 \pm 5%
Lead Length(mm)	6	6



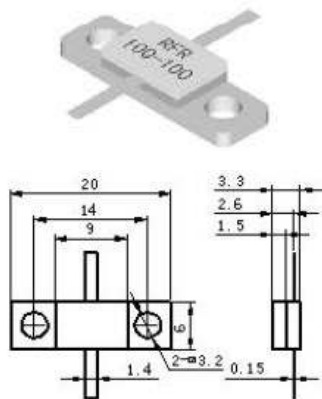
P/N	AEMFR50-60RDJ-4	AEMFR100-60RDJ-4
Power(W)	60	60
Substrate	BeO/AlN	BeO/AlN
Frequency(GHz)	DC-4	DC-4
Resistance(Ω)	50 \pm 5%	100 \pm 5%
Lead Length(mm)	6	6



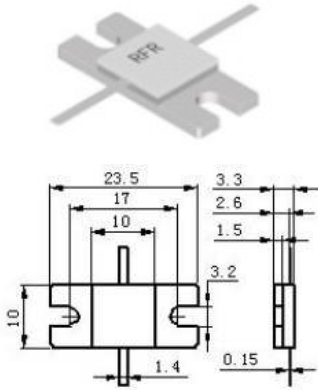
P/N	AEMFR50-60RBR-6	AEMFR100-60RBR-6
Power(W)	60	60
Substrate	BeO/AlN	BeO/AlN
Frequency(GHz)	DC-6	DC-6
Resistance(Ω)	50 \pm 5%	100 \pm 5%
Lead Length(mm)	6	6



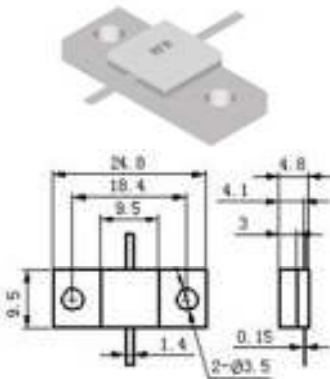
P/N	AEMFR50-60RDS-4	AEMFR100-60RDS-4
Power(W)	60	60
Substrate	BeO/AlN	BeO/AlN
Frequency(GHz)	DC-4	DC-4
Resistance(Ω)	50 \pm 5%	100 \pm 5%
Lead Length(mm)	6	6



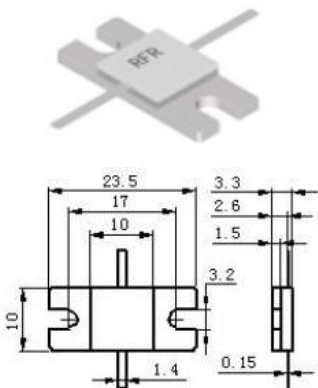
P/N	AEMFR50-100RBR-3	AEMFR100-100RBR-3
Power(W)	100	100
Substrate	BeO/AlN	BeO/AlN
Frequency(GHz)	DC-3	DC-3
Resistance(Ω)	50 \pm 5%	100 \pm 5%
Lead Length(mm)	6	6



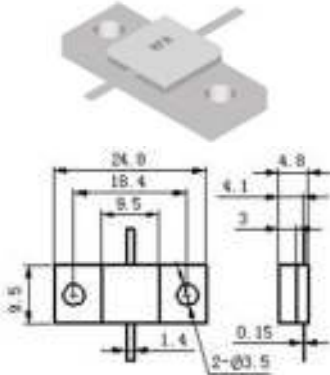
P/N	AEMFR50-100RHE-2.5	AEMFR100-100RHE-2.5
Power(W)	100	100
Substrate	BeO/AlN	BeO/AlN
Frequency(GHz)	DC-2.5	DC-2.5
Resistance(Ω)	50 \pm 5%	100 \pm 5%
Lead Length(mm)	6	6



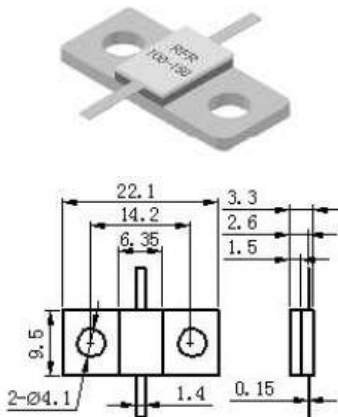
P/N	AEMFR50-100RBAH-2.5	AEMFR100-100RBAH-2.5
Power(W)	100	100
Substrate	BeO/AlN	BeO/AlN
Frequency(GHz)	DC-2.5	DC-2.5
Resistance(Ω)	50 \pm 5%	100 \pm 5%
Lead Length(mm)	6	6



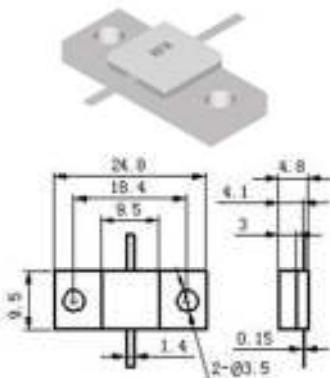
P/N	AEMFR50-150RHE-2.5	AEMFR100-150RHE-2.5
Power(W)	150	150
Substrate	BeO/AlN	BeO/AlN
Frequency(GHz)	DC-2.5	DC-2.5
Resistance(Ω)	50 \pm 5%	100 \pm 5%
Lead Length(mm)	6	6



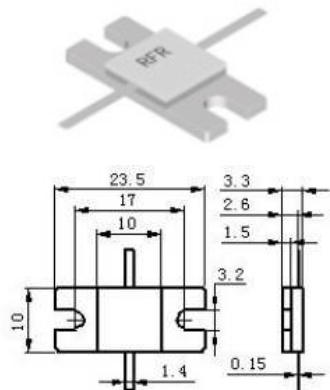
P/N	AEMFR50-150RBAH-2.5	AEMFR100-150RBAH-2.5
Power(W)	150	150
Substrate	BeO/AlN	BeO/AlN
Frequency(GHz)	DC-2.5	DC-2.5
Resistance(Ω)	50 \pm 5%	100 \pm 5%
Lead Length(mm)	6	6



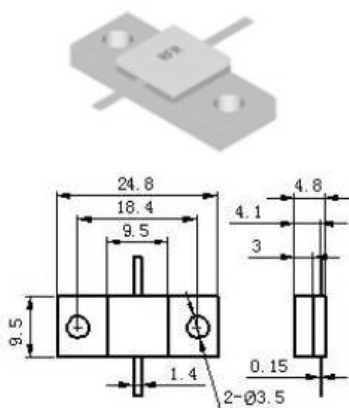
P/N	AEMFR50-150RBY-3	AEMFR100-150RBY-3
Power(W)	150	150
Substrate	BeO/AlN	BeO/AlN
Frequency(GHz)	DC-3	DC-3
Resistance(Ω)	50 \pm 5%	100 \pm 5%
Lead Length(mm)	6	6



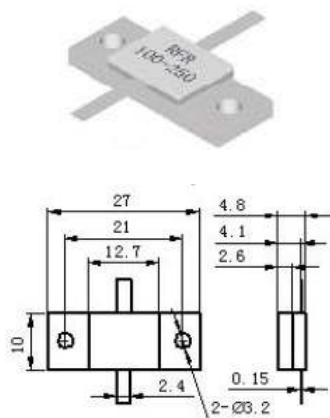
P/N	AEMFR50-200RBAH-2.5	AEMFR100-200RBAH-2.5
Power(W)	200	200
Substrate	BeO	BeO
Frequency(GHz)	DC-2.5	DC-2.5
Resistance(Ω)	50 \pm 5%	100 \pm 5%
Lead Length(mm)	6	6



P/N	AEMFR50-250RHE-2.5	AEMFR100-250RHE-2.5
Power(W)	250	250
Substrate	BeO	BeO
Frequency(GHz)	DC-2.5	DC-2.5
Resistance(Ω)	50 \pm 5%	100 \pm 5%
Lead Length(mm)	6	6



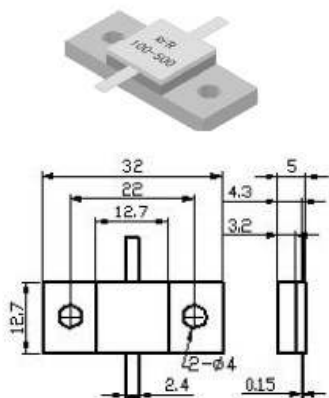
P/N	AEMFR50-250RBAH-2.5	AEMFR100-250RBAH-2.5
Power(W)	250	250
Substrate	BeO	BeO
Frequency(GHz)	DC-2.5	DC-2.5
Resistance(Ω)	50 \pm 5%	100 \pm 5%
Lead Length(mm)	6	6



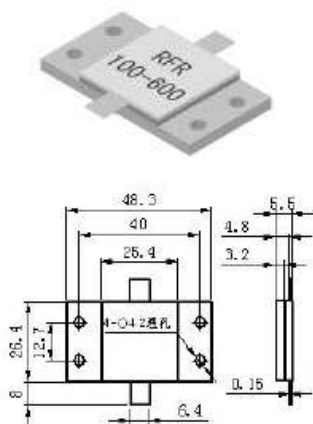
P/N	AEMFR50-250RBAB-2	AEMFR100-250RBAB-2
Power(W)	250	250
Substrate	BeO	BeO
Frequency(GHz)	DC-2	DC-2
Resistance(Ω)	50 \pm 5%	100 \pm 5%
Lead Length(mm)	6	6



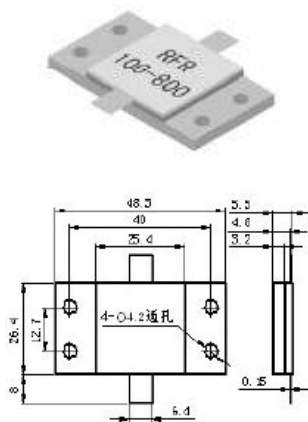
RF Resistor



P/N	AEMFR100-500RBCH-0.8
Power(W)	500
Substrate	BeO
Frequency(GHz)	DC-0.8
Resistance(Ω)	100±5%
Lead Length(mm)	8



P/N	AEMFR100-600REG-1.5
Power(W)	600
Substrate	BeO
Frequency(GHz)	DC-1.5
Resistance(Ω)	100±5%
Lead Length(mm)	8



P/N	AEMFR100-800REG-1.2
Power(W)	800
Substrate	BeO
Frequency(GHz)	DC-1.2
Resistance(Ω)	100±5%
Lead Length(mm)	8

Specification may change without notice