



RF Mixer SMA



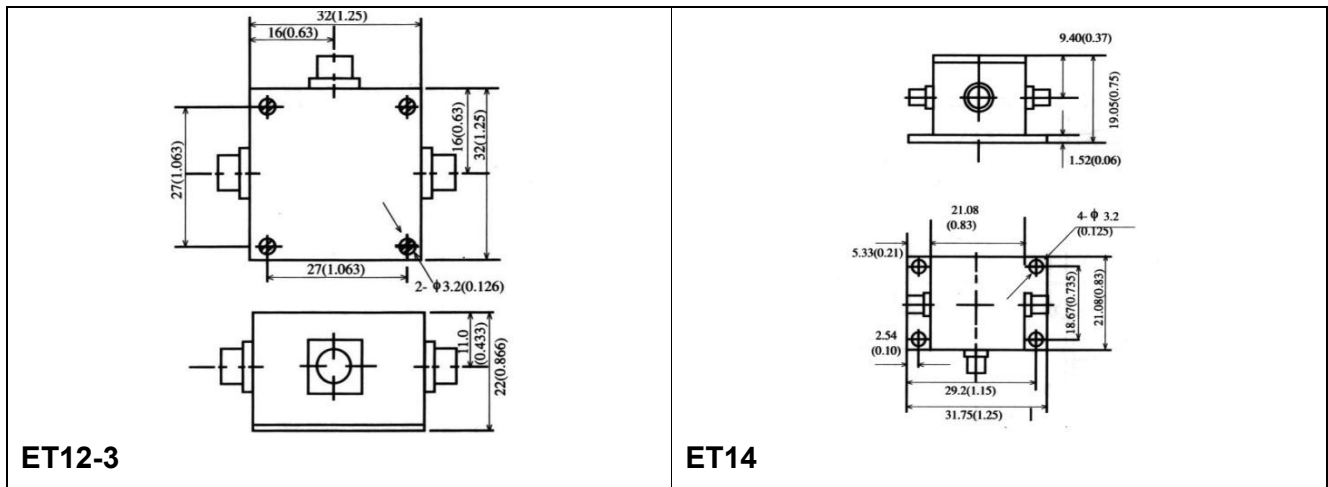
P/N	LO Power (dBm)	Freq. Range (MHz)		Conversion Loss (dB) Max.	LO-RF Isolation (dB) Typ./Min.	LO-IF Isolation (dB) Typ./Min.	Case
		RF/LO	IF				
AEMMX-T-0.003-100-7	+7	0.003-100	DC-100	8.5	35/25	30/20	ET14
AEMMX-T-5-20007	+7	5-2000	10-600	8.5	30/20	25/15	ET14
AEMMX-T-10-1000-7	+7	10-1000	DC-1000	8.5	25/20	25/20	ET26
AEMMX-T-1-1000-7	+7	1-1000	DC-1000	8,5	30/25	25/20	ET12-3
AEMMX-T-100-2000-7	+7	100-2000	DC-600	9.5	35/20	30/20	ET12-3
AEMMX-T-10-3000-10	+10	10-3000	10-800	8.5	35/25	25/20	ET12-3
AEMMX-T-10-3000-17	+17	10-3000	10-1000	12	23/15	23/16	ET26
AEMMX-T-5-500-23	+23	5-500	5-500	8.5	30/25	30/20	ET26
AEMMX-T-10-1000-23	+23	10-1000	5-1000	10	35/25	25/20	ET26
AEMMX-T-0.07-200-23	+23	0.07-200	5-200	8.0	30/25	30/20	ET26

Operating Temperature: -40 °C to +70 °C, Storage Temperature: -55 °C to +85 °C.

Customized available

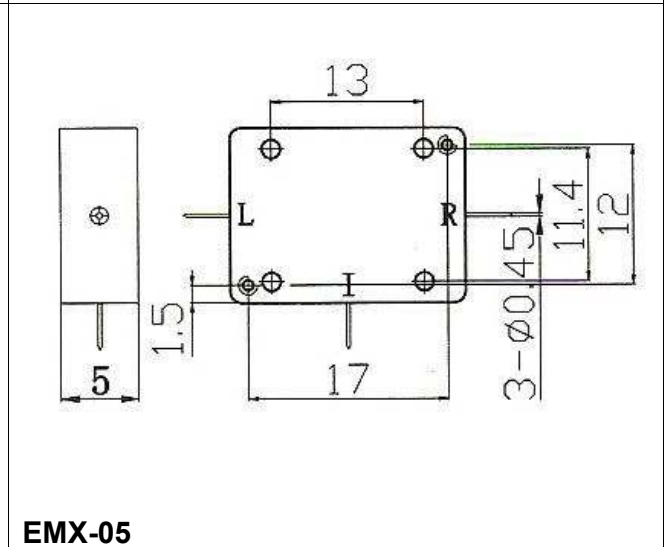
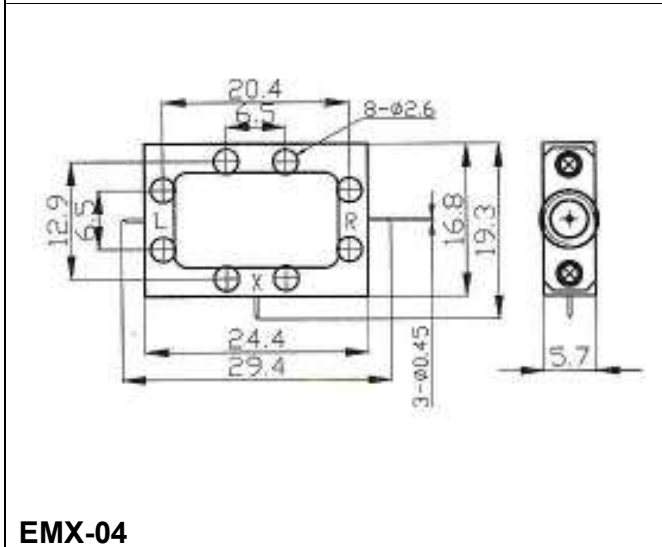
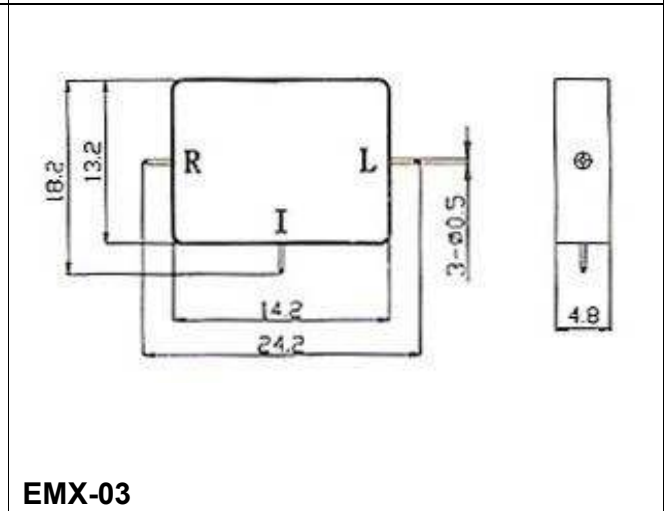
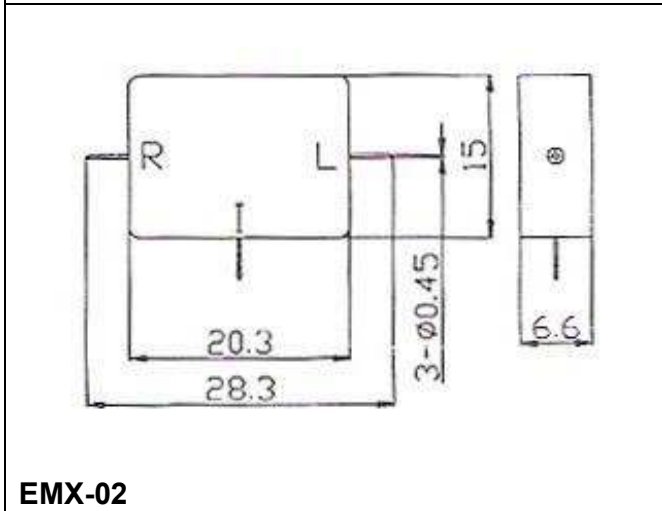
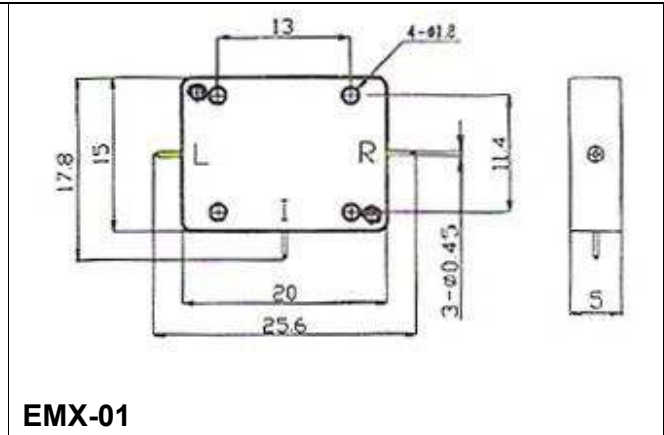
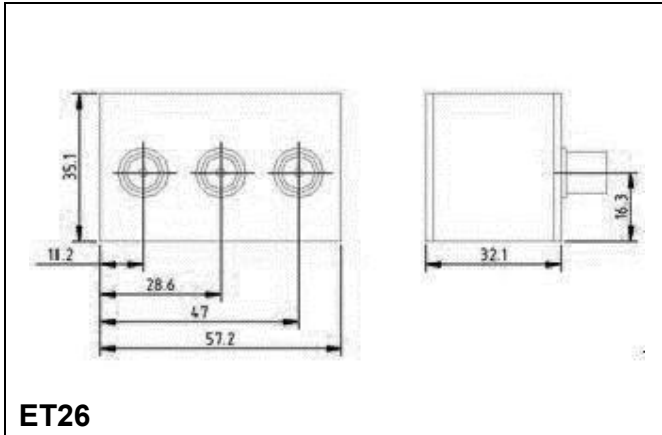
Specification may change without notice

Outline Drawings for reference (Unit: mm)



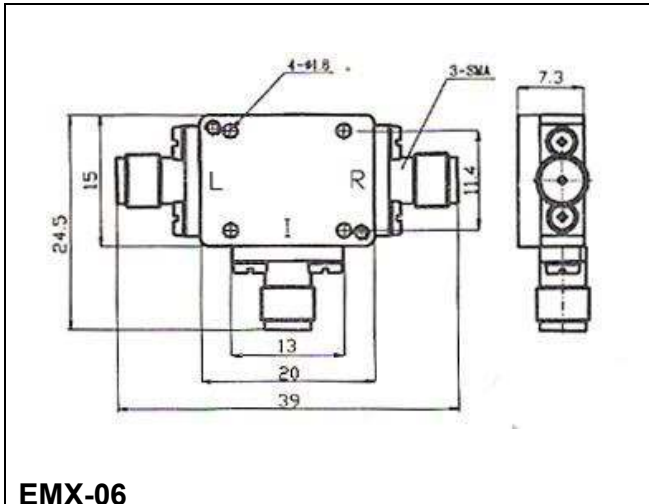


RF Mixer SMA

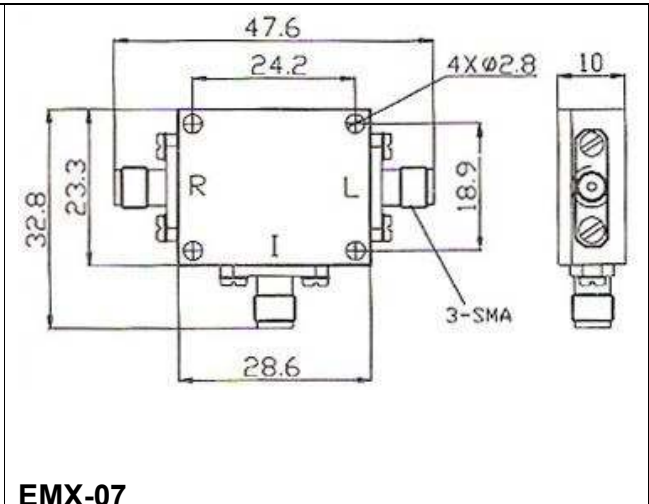




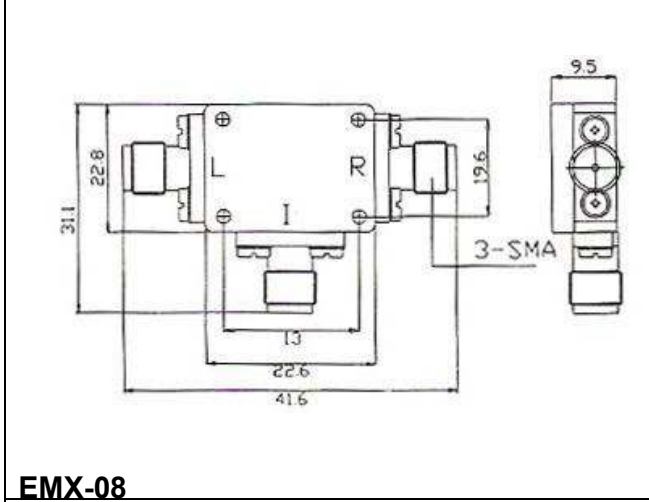
RF Mixer SMA



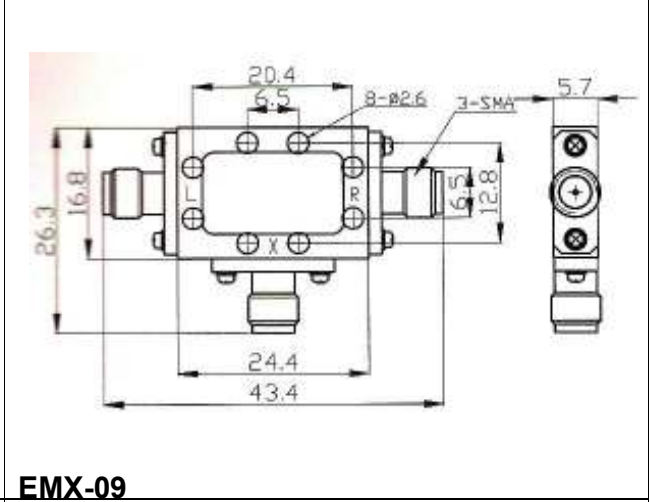
EMX-06



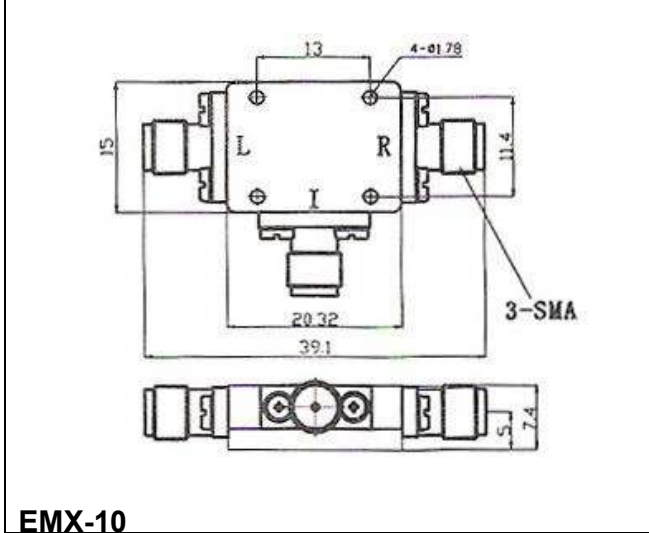
EMX-07



EMX-08



EMX-09



EMX-10



American Accurate Components, Inc.

188 Technolgy Drive, Unit H Irvine, CA 92618
TEL: 949-453-9888 ♦ FAX: 949-453-8889 ♦ Email: sales@aacix.com