



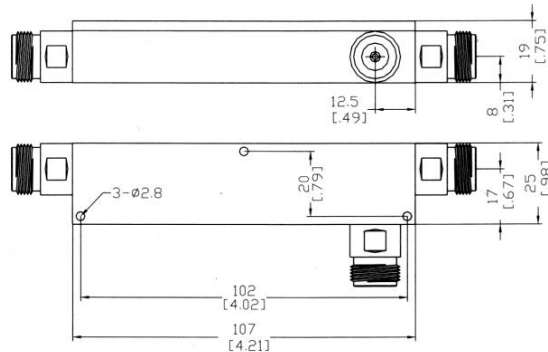
800~2500MHz Broadband Directional Coupler (Micro-strip)

P/N	Freq. Range (MHz)	Insertion Loss (dB) Max.	Isolation (dB) Min.	Coupling (dB)	Power Handling (W)	VSWR Max.	Connector
AEMCP-0825/5M	800-2500	2.4	21	5±1.0	50	1.3	N-Female
AEMCP-0825/6M	800-2500	1.8	21	6±1.0	50	1.3	N-Female
AEMCP-0825/7M	800-2500	1.4	21	7±1.0	50	1.3	N-Female
AEMCP-0825/10M	800-2500	0.9	25	10±1.0	50	1.3	N-Female
AEMCP-0825/15M	800-2500	0.5	30	15±1.0	50	1.3	N-Female
AEMCP-0825/20M	800-2500	0.4	35	20±1.0	50	1.3	N-Female
AEMCP-0825/25M	800-2500	0.4	35	25±1.0	50	1.3	N-Female
AEMCP-0825/30M	800-2500	0.4	35	30±1.0	50	1.3	N-Female

Impedance: 50Ohm

Operating Temperature: -25 °C~+65 °C

Outline Drawing(Unit: mm)

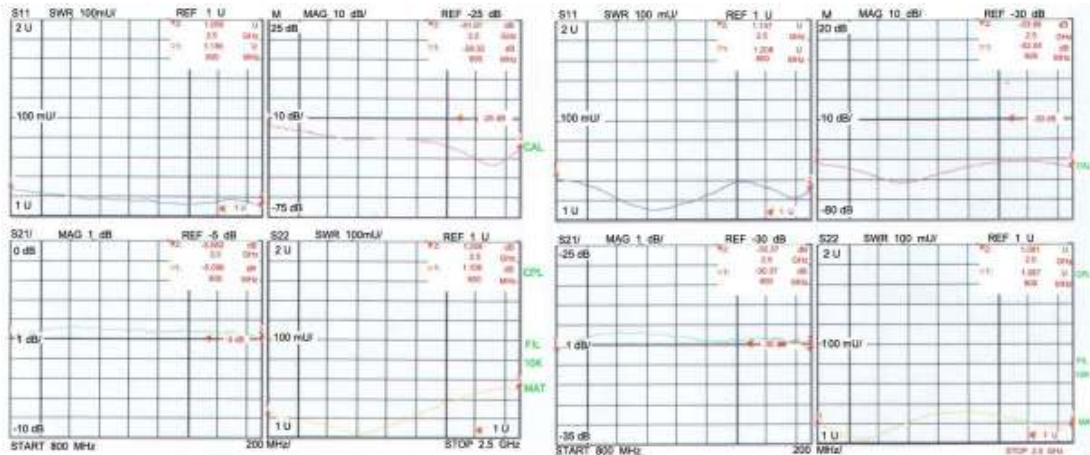


Applications:

1. GSM, CDMA, PCS, DCS, PHS, 3G etc. Communication equipments
2. GSM, CDMA, PCS, DCS, PHS, AMPS, SMR, 3G Communication systems



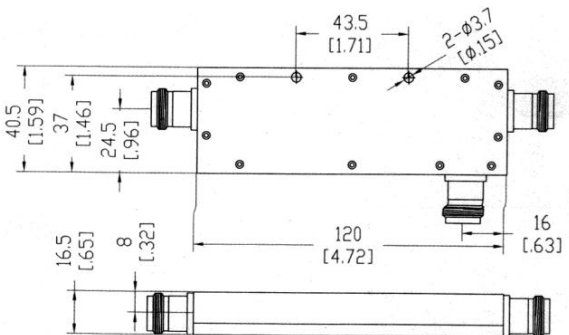
800~2500MHz Broadband Directional Coupler (Air Dielectric)



P/N	Freq. Range (MHz)	Insertion Loss (dB) Max.	Coupling (dB)	Directivity (dB) Min.	Power Handling (W)	VSWR Max.	Connector
AEMCP-0825/5A	800-2500	2.0	5±0.5	20	100	1.3	N-Female
AEMCP-0825/7A	800-2500	1.4	7±0.5	20	100	1.3	N-Female
AEMCP-0825/10A	800-2500	0.8	10±1.0	20	100	1.3	N-Female
AEMCP-0825/15A	800-2500	0.4	15±1.0	20	100	1.3	N-Female
AEMCP-0825/20A	800-2500	0.2	20±1.5	20	100	1.3	N-Female
AEMCP-0825/30A	800-2500	0.2	30±1.5	20	100	1.3	N-Female

Outline Drawing(Unit: mm)

Impedance: 50Ohms
 Surface Color: Black
 Operating Temperature: -25 °C ~+65 °C
 Relative Humidity: 5% ~95%

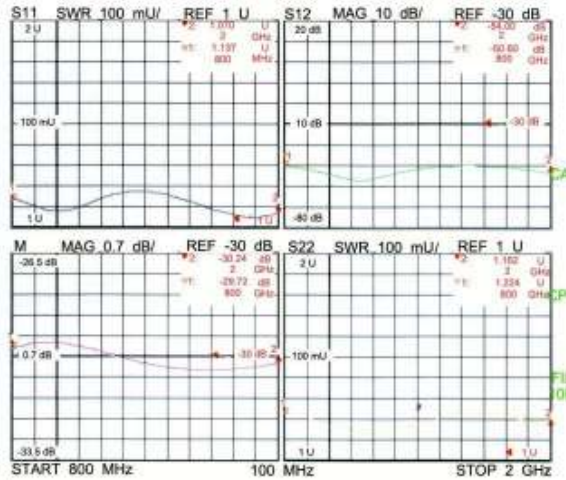


Features: High Power Handling, Low Insertion Loss

Specification may change without notice



800~2000MHz Dual Directional Coupler

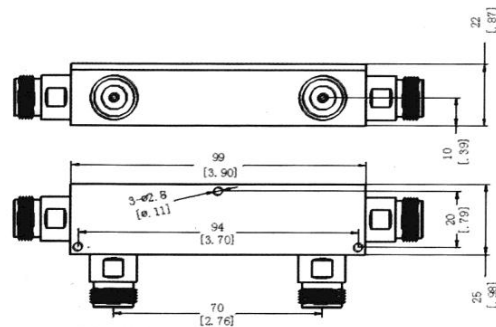


P/N	Freq. Range (MHz)	Insertion Loss (dB) Max.	Coupling (dB)	Directivity (dB) Min.	Power Handling (W)	VSWR Max.	Connector
AEMDCP-0820/5	800-2000	0.3	5±0.5	20	100	1.25	N-Female
AEMDCP-0820/6	800-2000	0.3	6±0.5	20	100	1.25	N-Female
AEMDCP-0820/10	800-2000	0.3	10±0.8	20	100	1.25	N-Female
AEMDCP-0820/15	800-2000	0.3	15±0.8	20	100	1.25	N-Female
AEMDCP-0820/20	800-2000	0.3	20±1.0	20	100	1.25	N-Female
AEMDCP-0820/30	800-2000	0.3	30±1.0	20	100	1.25	N-Female

Outline Drawing(Unit: mm)

Impedance: 50Ohms

Operating Temperature: -25 °C ~+65 °C



Features: Low Insertion, High Power Handling