



Directional Couplers type SMA

P/N	Frequency Range (MHz)	Insertion Loss (dB) Max.	Coupling (dB)	Directivity (dB) Min.	VSWR Max.	Power Handling (W) CW	Frequency Sensitivity (dB) Max.	Case
AEMCP-T-0220-20	0.2-2	0.6	20±1.0	12	1.4	10	±1.0	290x20x15
AEMCP-T-0520-6	0.5-2	0.5	6±1.0	20	1.2	4/50*	±0.7	ECP-01
AEMCP-T-0520-10	0.5-2	0.5	10±1.0	20	1.2	10/50*	±0.7	
AEMCP-T-0520-20	0.5-2	0.4	20±1.0	20	1.2	50	±0.7	
AEMCP-T-0520-30	0.5-2	0.4	30±1.0	20	1.2	50	±0.7	
AEMCP-T-0530-10	0.5-3	0.8	10±0.8	18	1.25	50	±0.7	120x16x12
AEMCP-T-0530-20	0.5-3	0.8	20±1.0	18	1.25	50	±0.7	120x16x12
AEMCP-T-0540-6	0.5-4	1.8	6±1.0	16	1.35	10	±1.0	-
AEMCP-T-0540-10	0.5-4	1.1	10±1.0	16	1.35	10	±1.0	-
AEMCP-T-05130-10	0.5-13	1.6	10±1.0	15	1.40	30	±1.0	115x15.5x11
AEMCP-T-0825-6	0.8-2.5	0.5	6±1.0	20	1.2	4/50*	±0.7	ECP-02
AEMCP-T-08250-10	0.8-2.5	0.5	10±1.0	20	1.2	10/50*	±0.7	
AEMCP-T-0825-20	0.8-2.5	0.4	20±1.0	20	1.2	50	±0.7	
AEMCP-T-0825-30	0.8-2.5	0.4	30±1.0	20	1.2	50	±0.7	
AEMCP-T-1040-6	1-4	0.5	6±1.0	20	1.2	4/50*	±0.7	ECP-03
AEMCP-T-1040-10	1-4	0.5	10±1.0	20	1.2	10/50*	±0.7	
AEMCP-T-1040-20	1-4	0.4	20±1.0	20	1.2	50	±0.7	
AEMCP-T-1040-30	1-4	0.4	30±1.0	20	1.2	50	±0.7	
AEMCP-T-10180-10	1-18	1.2	10±1.0	12	1.6	10/50*	±1.0	
AEMCP-T-10180-20	1-18	1.2	20±1.0	12	1.6	10/50*	±1.0	
AEMCP-T-2080-6	2-8	0.5	6±1.0	20	1.2	4/50*	±1.0	ECP-04
AEMCP-T-2080-10	2-8	0.5	10±1.0	20	1.2	10/50*	±1.0	
AEMCP-T-2080-20	2-8	0.4	20±1.0	20	1.2	50	±1.0	
AEMCP-T-2080-30	2-8	0.4	30±1.0	20	1.2	50	±1.0	
AEMCP-T-20180-10	2-18	1.5	10±1.0	12	1.6	10/50*	±1.0	ECP-05
AEMCP-T-20180-20	2-18	1.2	20±1.0	10	1.6	50	±1.0	
AEMCP-T-20180-30	2-18	0.7	30±1.0	12	1.5	50	±1.0	ECP-04



Directional Couplers type SMA



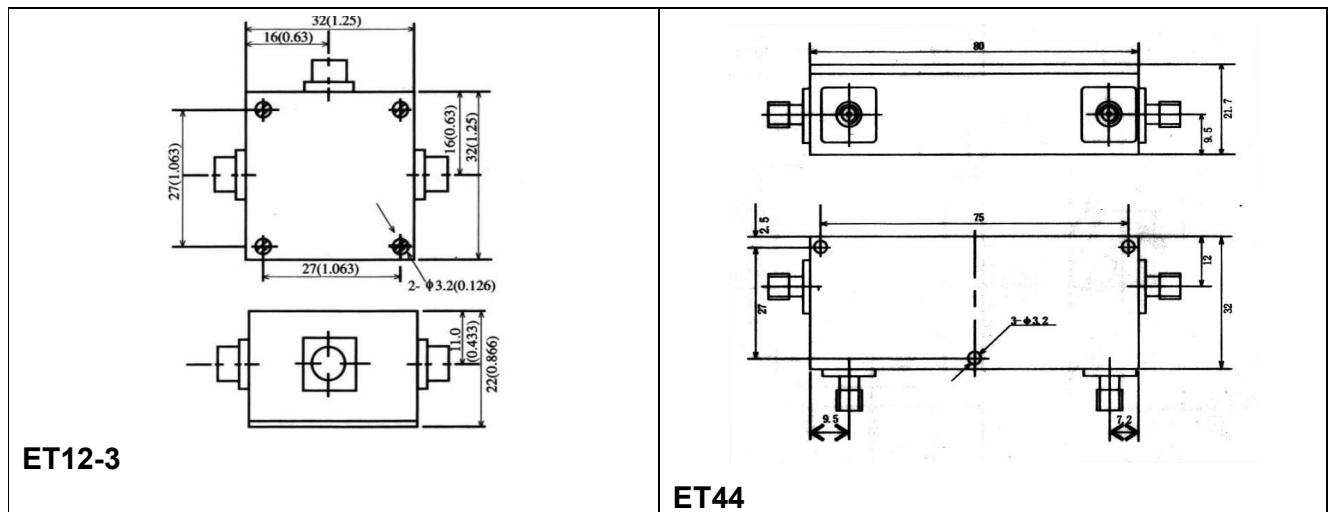
P/N	Frequency Range (MHz)	Insertion Loss (dB) Max.	Coupling (dB)	Directivity (dB) Min.	VSWR Max.	Power Handling (W) CW	Frequency Sensitivity (dB) Max.	Case
AEMCP-T-40180-10	4-18	0.8	10±1.0	12	1.5	10/50*	±1.0	ECP-06
AEMCP-T-40180-20	4-18	0.8	20±1.0	12	1.5	50	±1.0	
AEMCP-T-90130-30	9-13	0.5	30±1.0	15	1.35	10/50*	±1.0	-
AEMCP-T-170220-30	17-22	0.8	30±1.0	10	1.4	10/50*	±1.0	-

Operating Temperature: -55 °C to +85 °C, Storage Temperature: -55 °C to +95 °C.

Applications: Indoor, 0-95%RH.

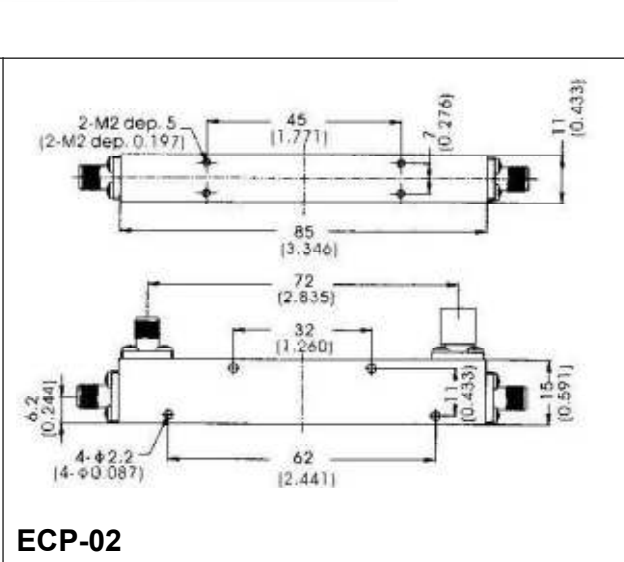
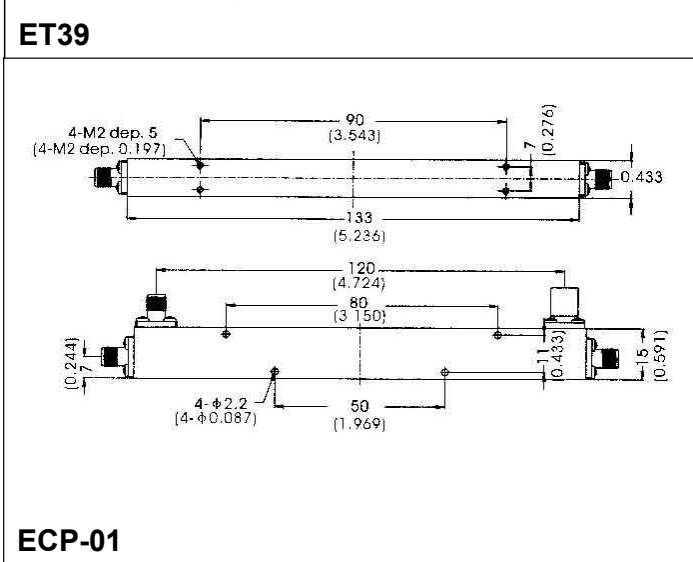
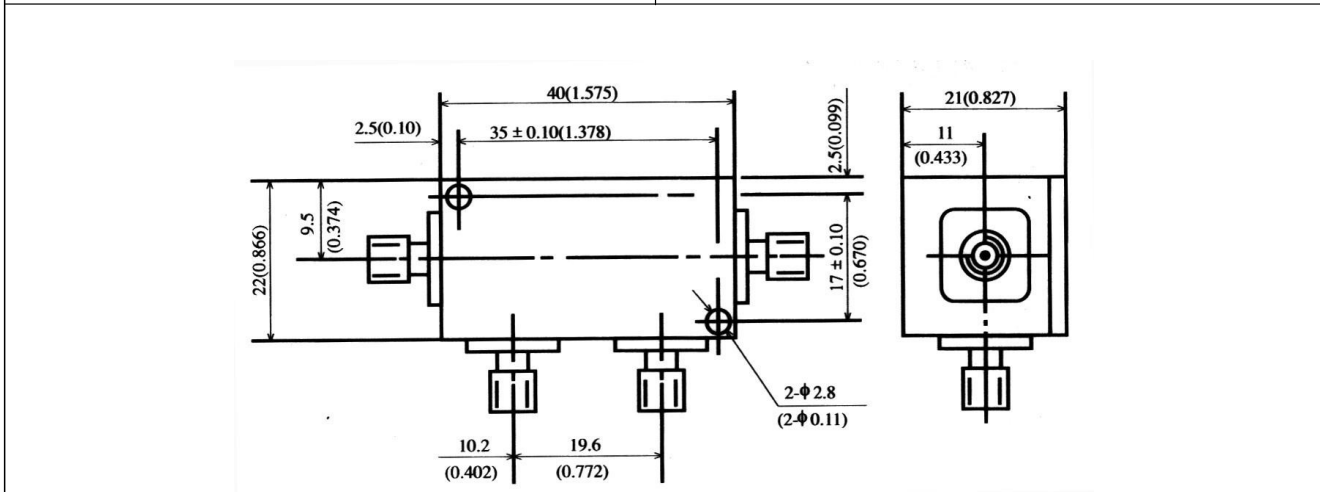
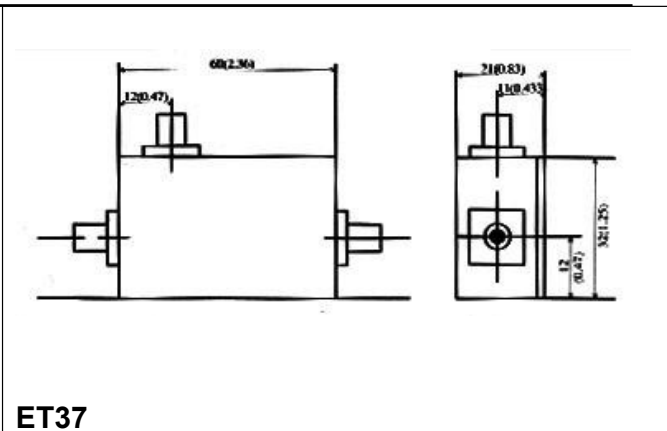
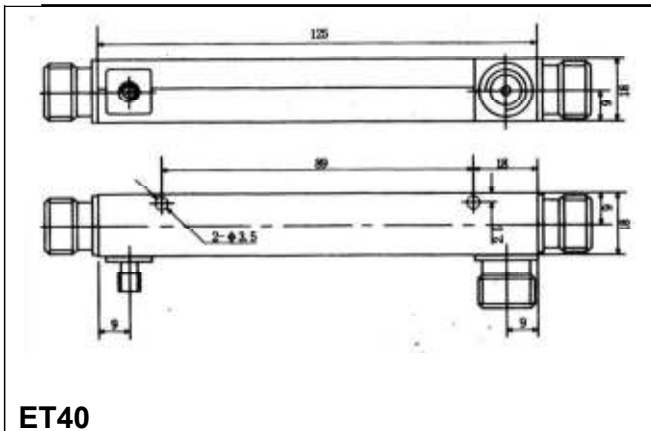
Customized available

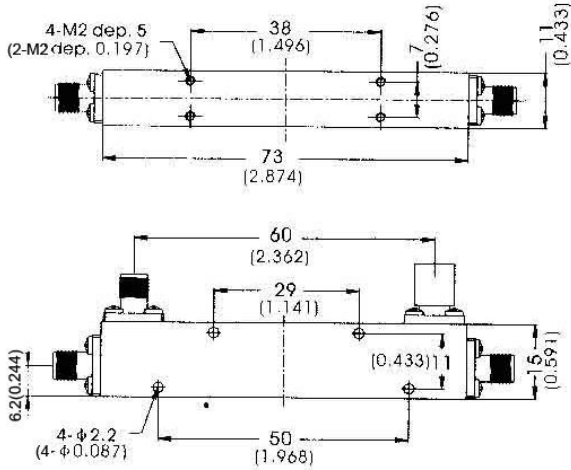
Outline Drawings for reference (Unit: mm)



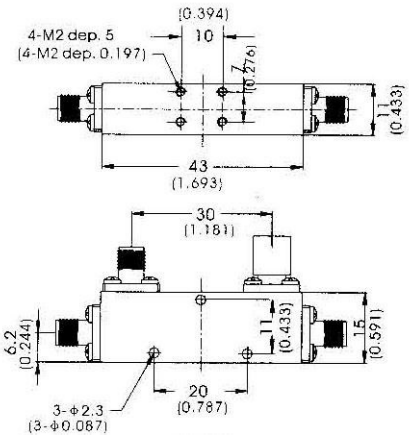
ET12-3

ET44

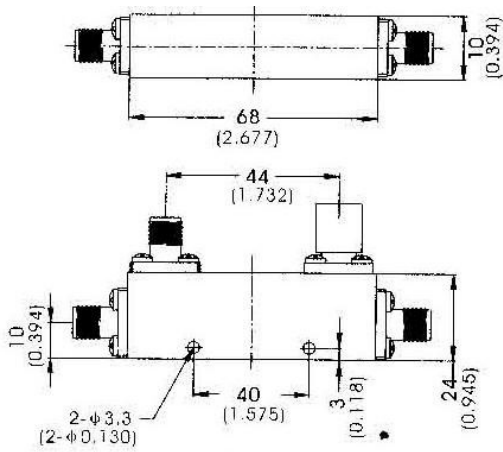




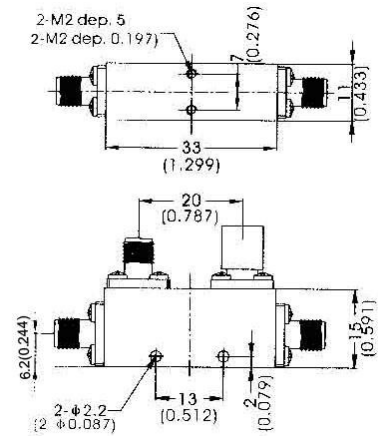
ECP-03



ECP-04



ECP-05



ECP-06