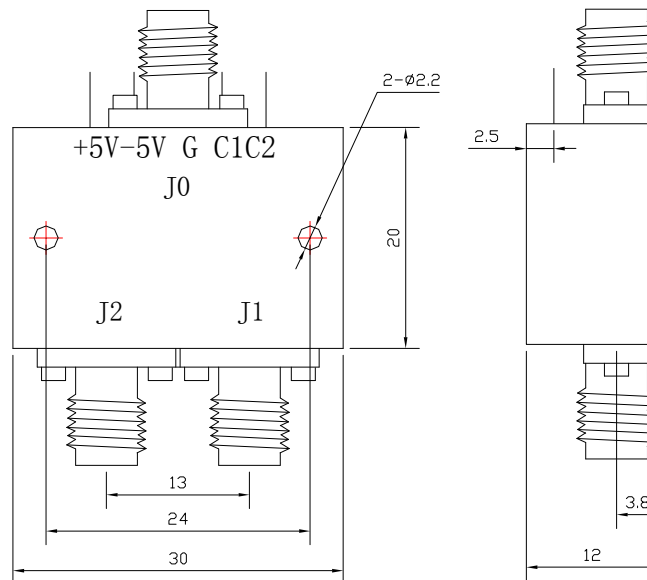


Technical Specification

Frequency range(GHz)	2~18
Insertion loss(dB)	3.2 max
VSWR	1.8 max
Isolation(dB)	55 min
Switching Speed(ns)	50 max
Power handling(dBm)	27 max
Impedance(ohm)	50
Input/Output Connectors	SMA Female
Power supply(V / mA)	+5 & -5 @ 30 each
Control	TTL
Net Weight(Kg)	0.02 Around



Outline Drawing (Size: mm)



Test Results (+25°)

Frequency range (GHz)	Port	C2C1	Insertion Loss (dB)		VSWR		Isolation (dB)	Switching Speed (ns)
			min	max	in	out		
2~18	J0-J1	1 0	0.86	2.98	1.51	1.77	>55	<50
	J0-J2	0 1	0.95	3.05	1.50	1.76	>55	<50