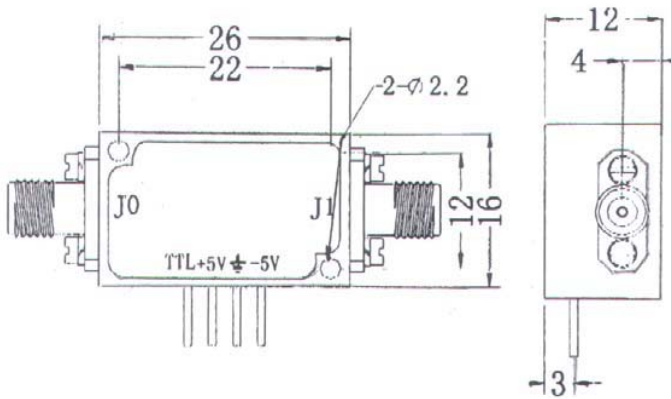


Technical Specification

Frequency Range(GHz)	6.5~9.5
Insertion Loss(dB)	2.0 max
Isolation(dB)	70 min
Power Handling(W)	0.2 min CW
Switching Time(ns)	50 max
Temperature Range(°C)	-55~+85
VSWR	1.5 max
Connectors	SMA-Female
Control	TTL Control, "0"ON,"1"OFF
Power Supply(V)	±5
Net weight(Kg)	0.03 Around

Outline Drawing (Size: mm)



Test Condition

Operating Voltage	+5V, -5V
Calibration Instrument	2-port Full Calibration
IF Bandwidth	100Hz
Input Power	0dBm

Test Results

Temperature (°C)	Insertion Loss (dB)	VSWR (Insertion Loss)	Isolation (dB)	VSWR (Isolation)
+25	1.95	1.40	85	1.40
-55	1.93	1.35	84	1.35
+85	1.97	1.41	87	1.39