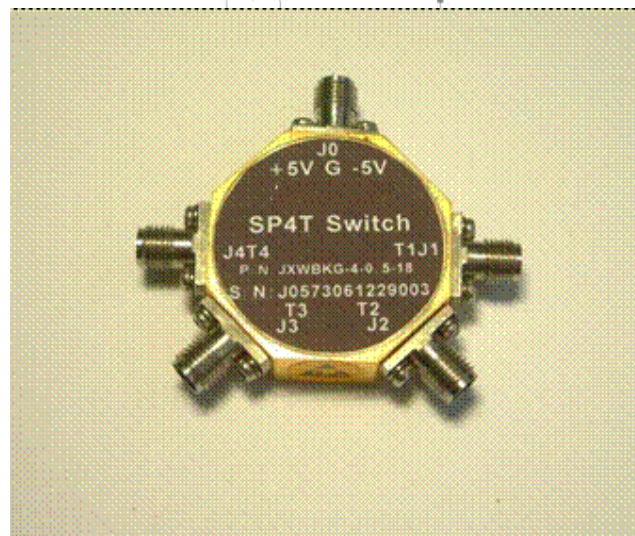
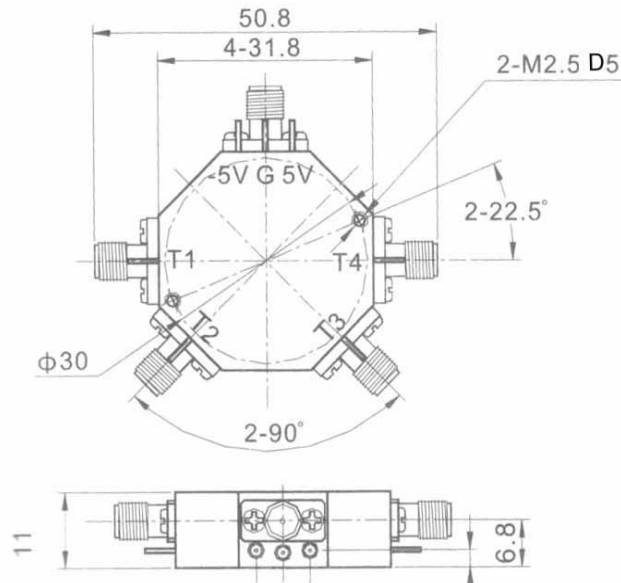


Technical Specification

Frequency Range(GHz)	0.5-18
Insertion Loss(dB)	3.8
Isolation(dB)	60
VSWR	2.0
Switching Speed(ns)	50
Power Handling(W)	1 CW max
Operating Temperature(°C)	-55 ~ +85
Storage Temperature(°C)	-65 ~ +125

Outline Drawing (Size: mm)

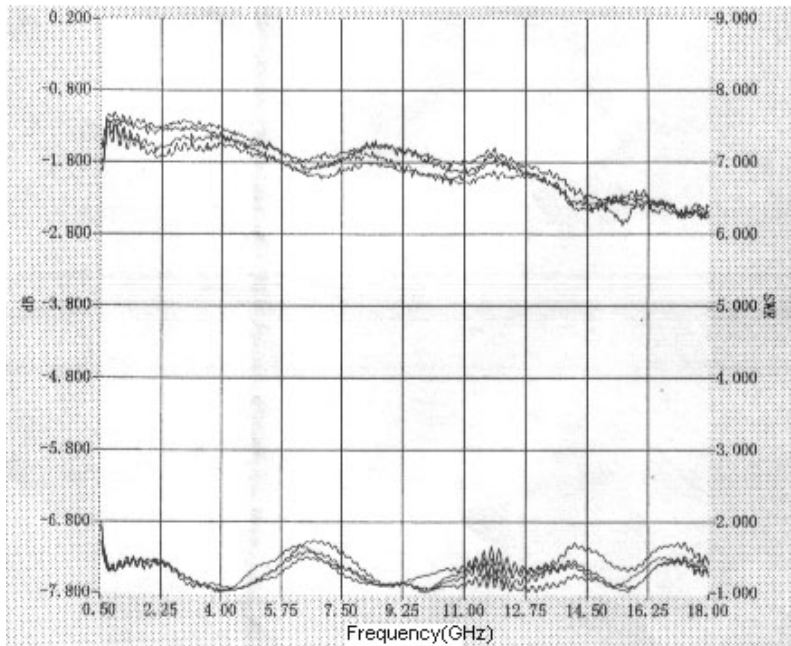


Test Instruments

🕒 CC142

Test Results

1. Insertion Loss



2. Isolation

