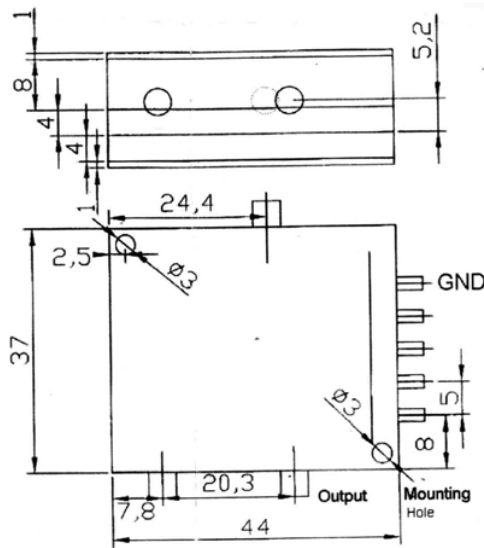


## Technical Specification

Frequency Range( GHz)	2.2-2.4
Insertion Loss( dB)	8 max
Phase Modulation(°)	0~90~180~270
Control( Bits)	2 TTL
Switch Speed(μs)	1
Amplitude Balance( dB)	±1
Phase Balance	±8
VSWR	2:1 max
Harmonic(dBc)	25 min
Input Power(dBm)	+15 max
RF Connectors	SMA-Female
Operating Temperature(°C)	-20~+70
Net Weight(Kg)	0.065

## Outline Drawing (Size: mm)



## Test Results

S/N	Frequency (2.2GHz)			Frequency (2.3GHz)			Frequency (2.4GHz)		
	Insertion Loss (dB)	Phase Balance (°)	VSWR	Insertion Loss (dB)	Phase Balance (°)	VSWR	Insertion Loss (dB)	Phase Balance (°)	VSWR
00	5.45	0	1.22	5.46	0	1.12	5.49	0	1.21
01	5.14	-92.4	1.16	5.40	-91.6	1.35	5.48	-90.5	1.51
10	4.80	87.3	1.20	4.95	86.8	1.33	5.12	88.3	1.42
11	5.54	178.6	1.34	5.51	177.6	1.25	5.57	177.1	1.30