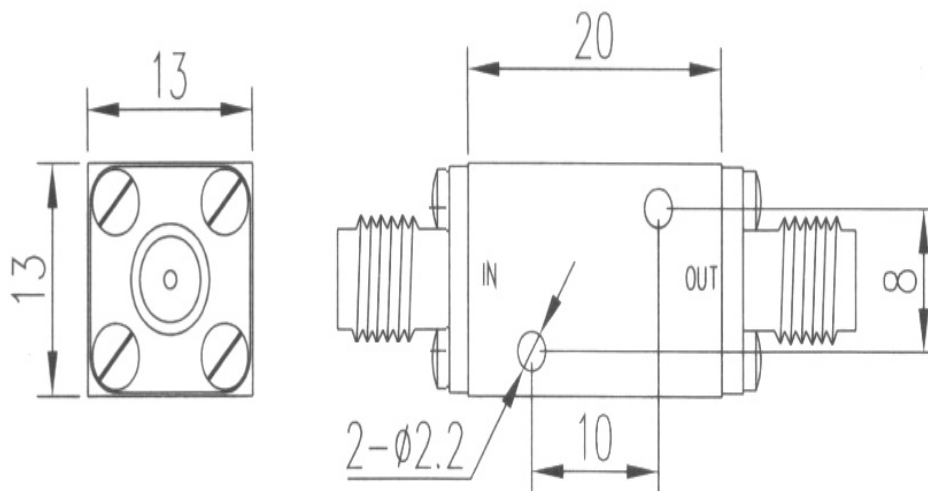


Technical Specification

Frequency Range	GHz	8-12
Insertion Loss	dB	1.8 max
VSWR	-	1.4 max
Maximum Output Power	dBm	-10 max
Peak Power	W	100 max
Average Power	W	2 max
Input/Output Impedance	Ohms	50
Input Connector	-	SMA-Female
Output Connector	-	SMA-Male
Net Weight	Kg	0.03 Around

Outline Drawing (Size: mm)



Test Results

Frequency(GHz)	Insertion Loss(dB)	VSWR
8-12	1.46	1.14

