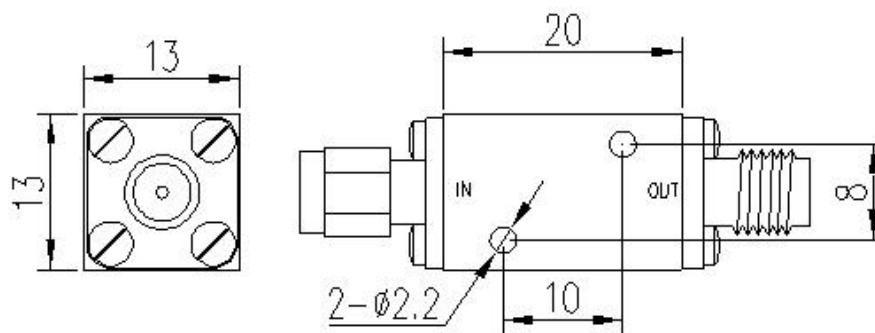


Technical Specification

Frequency Range	GHz	2-18
Insertion Loss	dB	2.5 max
VSWR	-	2:1 max
Power Handling	W	2 CW (@25°C)
Peak Power	W	100
Leakage Power	dBm	16
Operating Temperature	°C	-55~ +85
Storage Temperature	°C	-65~ +125
Connector	-	Input: SMA-Male Output: SMA-Female
Net Weight	Kg	0.015 Around

Outline Drawing (Size: mm)



Test Results

Frequency(GHz)	Insertion Loss(dB)	VSWR
2-18	1.81	1.67



188 Technology Dr. Unit H, Irvine, CA 92618

Tel: 949-453-9888, FAX: 949-453-8889, Email: Sales@aacix.com