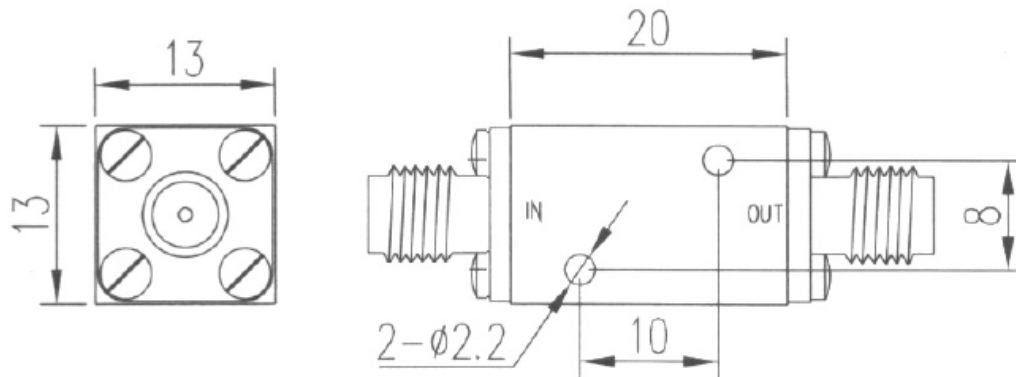


### Technical Specification

Frequency Range	GHz	1.0-18.0
Insertion Loss	dB	2.0 max
VSWR	-	2:1 max
Power Handling	W	2
Peak Power	W	200
Limiting Power	dBm	20
Input Connector	-	SMA-Male
Output Connector	-	SMA-Female
Operating Temp.	°C	-55 ~+85
Net Weight	Kg	0.015 Around

### Outline Drawing (Size: mm)



### Test Results

Frequency(GHz)	Insertion Loss(dB)	VSWR
1-18	1.85	1.54

