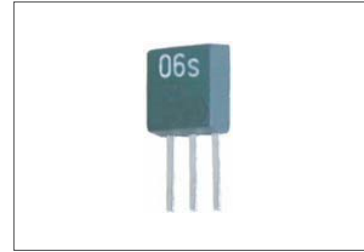


Wide Band RF Eliminate Filter **KHLC-06s**



Feature

- Single in Line Package
- Broad Bandwidth: 100 kHz to 5.2 GHz (-20 dB)
- Comply with Large Current (1.75 A)

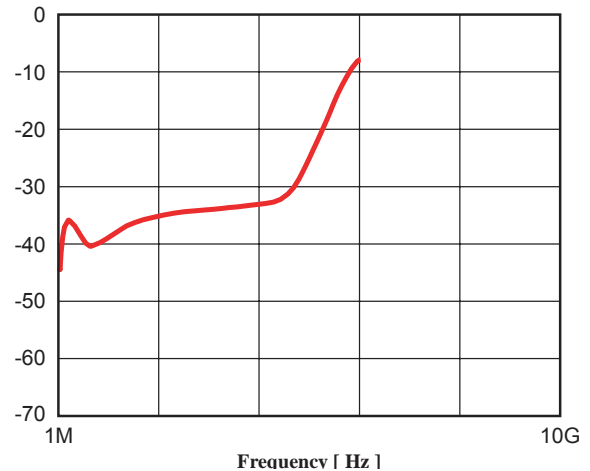
Nowadays, the digital clock signal which is used as high frequency applications makes the harmonic wave delivered to the DC power supplies extend the frequency range in GHz with one digit to two digits. Under this circumstance in performing a digital signal in high speed transmission, only the conventional method like using a bypass capacitor can not remove high harmonic wave which is transmitted to the power supplies. **KHLC-06s** which is designed in the power supply line of the electrical circuit can delete harmonic wave signal which is not necessary to be transmitted in very broad bandwidth of 0.10 MHz to 5200 MHz (-20 dB) and performs in extent to 4700 MHz from -30 dB attenuation band area.

KHLC-06s is in single in line package which can be mounted near the electric power supply terminals and is made ideal mounting position electrically.

Absolute Maximum Rating

Parameter	Value (max.)	Unit
Rated Current	1,750	mA
Rated Voltage	10	V
Soldering Temperature	+240 (8 sec)	C
Operating Temperature	-40 ~ +85	C
Storage Temperature	-65 ~ +150	C

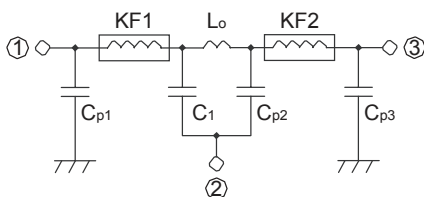
Isolation vs Frequency



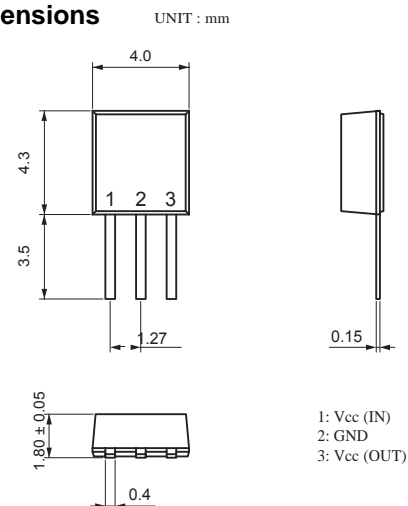
Electrical Specifications

Parameter	Value	Condition
Band Width	100kHz ~ 5.2GHz (Typ.)	-20 dB
	350kHz ~ 4.7GHz (Typ.)	-30 dB
DC Resistance	0.1 Ω max.	—

Schematics



Dimensions



Specifications of products are subject to change without notice.