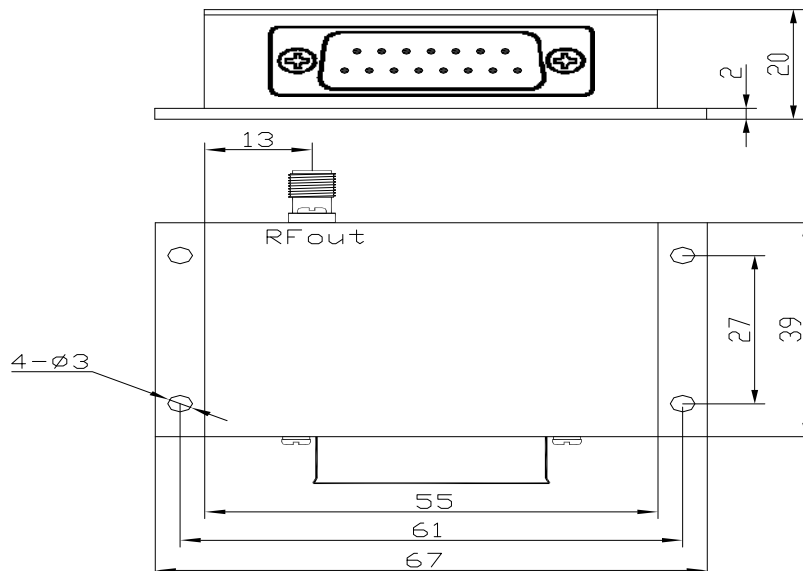


## Technical Specification

Frequency Range(GHz)	2.4-2.5
Step Size(MHz)	5
Power Output(dBm)	+25 max
Phase Noise(dBc/Hz)	-100 @1KHz max
Stability(ppm/°C)	±0.03 @+25°C
Spurious(dBc)	-65 max
Harmonics(dBc)	-15 max
Power Supply & Control connector	DB15 Male
Input DC power(V/mA)	12/80
	5/500
Connector	SMA -Female
Operating Temperature(°C)	-10 ~ +50
Storage Temperature(°C)	-20 ~ +60
Gross Weight(Kg)	0.22 Around

## Outline Drawing (Size: mm)



188 Technology Dr. Unit H, Irvine, CA 92618

Tel: 949-453-9888, FAX: 949-453-8889, Email: Sales@aacix.com

## Test Results

Frequency Range(GHz)	2.4-2.5
Step Size(MHz)	5
Power Output(dBm)	+24 max
Phase Noise(dBc/Hz)	-101 @1KHz max
Stability(ppm/°C)	±0.025 @+25°C
Spurious(dBc)	-67
Harmonics(dBc)	-25
Power Supply & Control connector	DB15 Male
Input DC power(V/mA)	12/80 5/430
Connector	SMA -Female
Operating Temperature(°C)	-10 ~ +50

