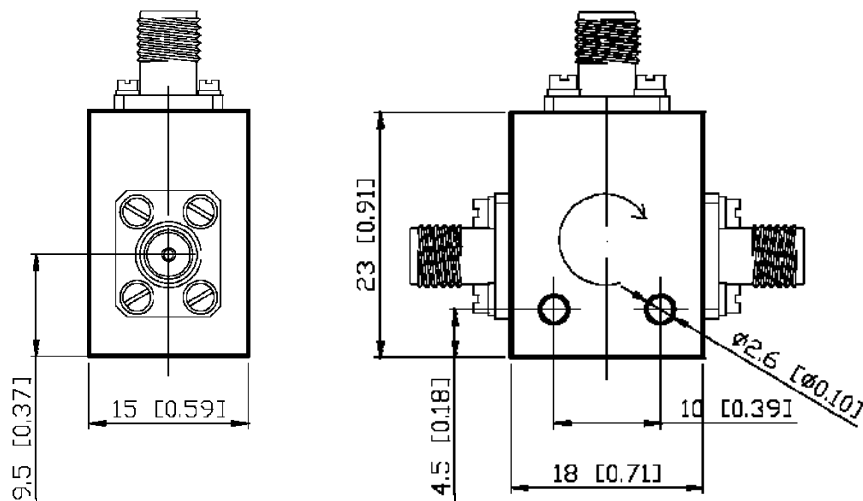


## Technical Specification

Frequency Range(GHz)	4 – 8
Isolation(dB)	17 min
Insertion Loss(dB)	0.55 max
VSWR	1.35 max
Input Power(W)	5 CW
Operating Temperature(°C)	-10 - +65
Connectors	SMA-Female
Net Weight(kg)	0.035 Around



## Outline Drawing (Size: mm)



## Test Results

Frequency(GHz)	Isolation (dB)	VSWR	Insertion Loss(dB)
4.0-8.0	17.8	1.33	0.29