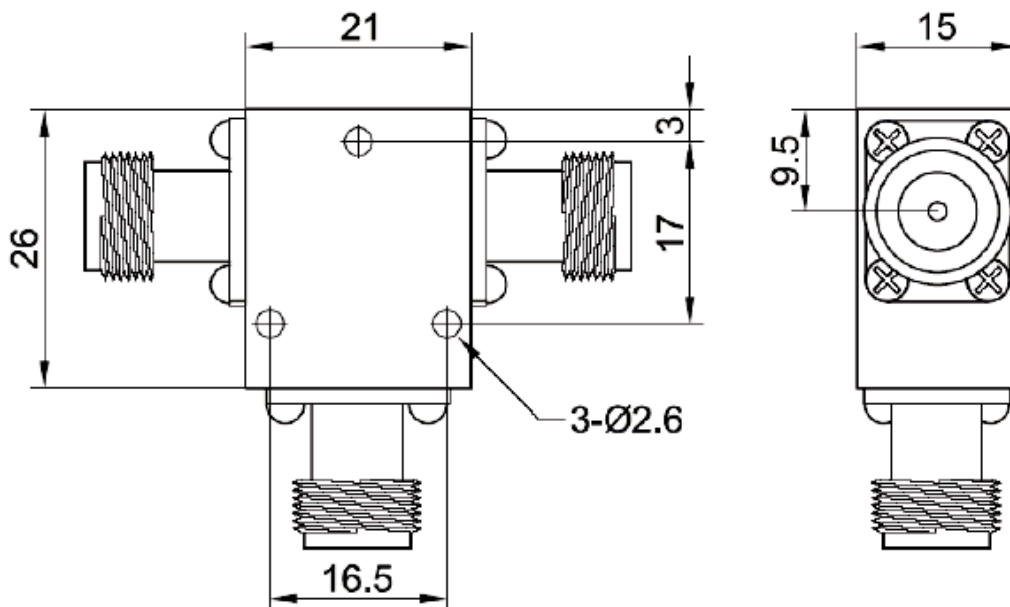


## Technical Specification

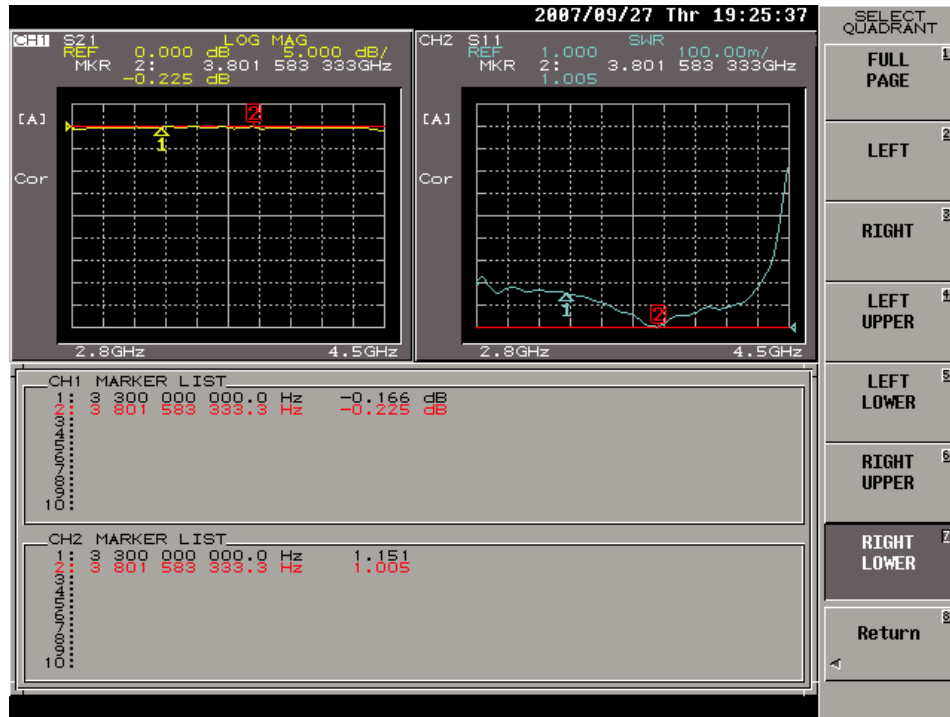
Frequency Range(GHz)	3.3-3.8
Isolation(dB)	20 min
Insertion Loss(dB)	0.5max
Input Power(W)	50 CW
VSWR	1.20 max
Connector	N-Female
Operating Temperature(°C)	-40 ~ +70
Size(mm)	21x26x15
Net Weight(Kg)	0.075Around

## Outline Drawing (Size: mm)



## Test Results

### Insertion Loss & VSWR



### Isolation & VSWR

