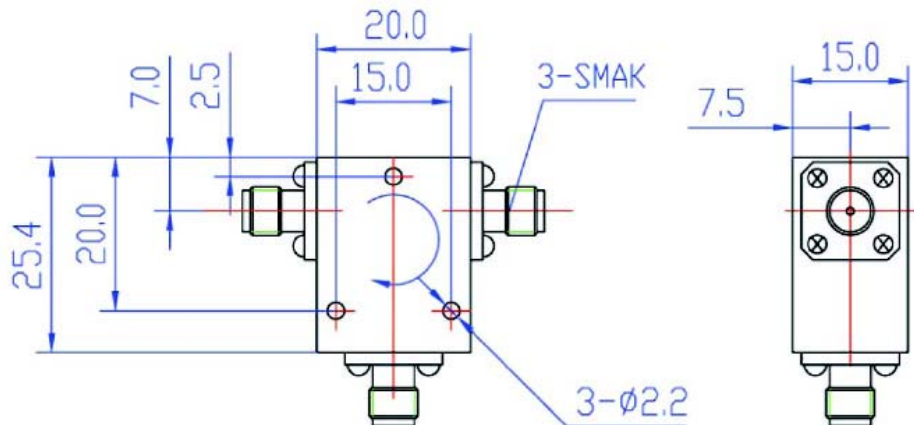


### Technical Specification

Frequency Range(GHz)	2.4~2.48
Isolation(dB)	25 min
Insertion Loss(dB)	0.3max
VSWR	1.2 max
Forward Power(W)	50
Reverse Power(W)	20
Connector	SMA-Female
Direction	Clockwise
Temperature Range(°C)	-20~+70
Net Weight(Kg)	0.05 Around

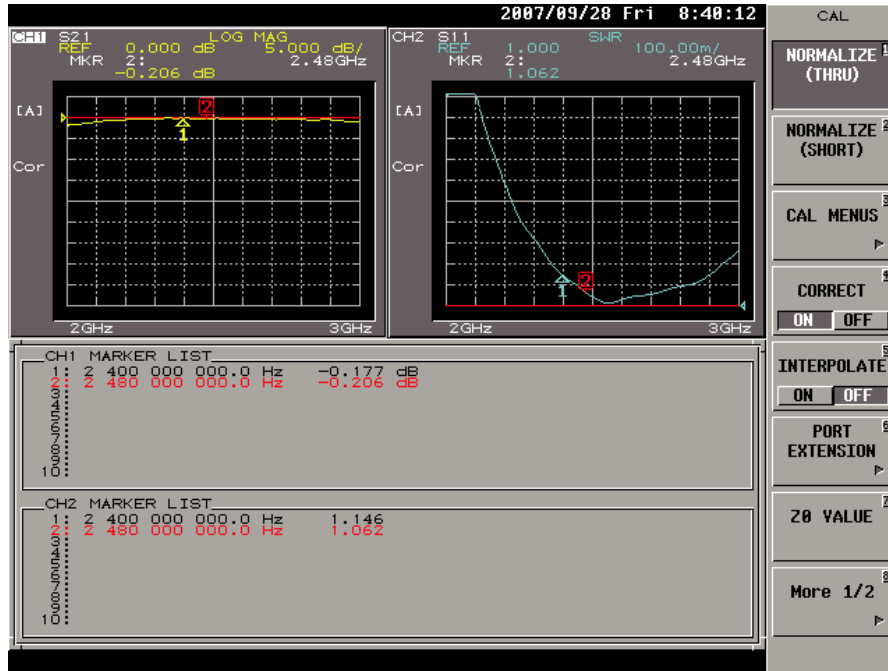


### Outline Drawing (Size: mm)



## Test Results

### Insertion Loss & VSWR



### Isolation & VSWR

