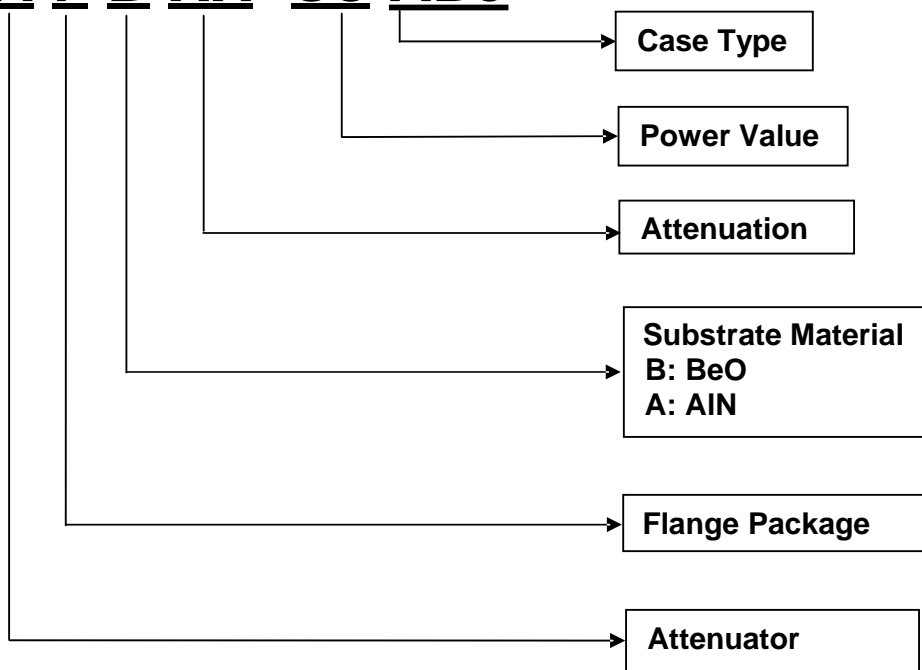
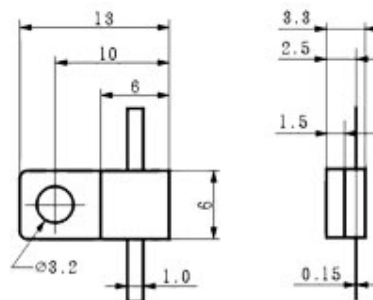
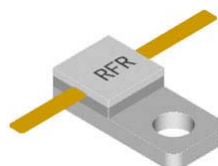


- ◆ Resistance: 50Ω
- ◆ Power: 30-100W
- ◆ Substrate Material: BeO, AlN
- ◆ Attenuation: 1-30dB
- ◆ Attenuation Accuracy: 1-10dB ±0.6dB
11-20dB ±0.8dB
21-30dB ±1.0dB
- ◆ Frequency Range: DC-4GHz
- ◆ Operation Temperature: -55 ~ +150°C
- ◆ RoHS Compliant

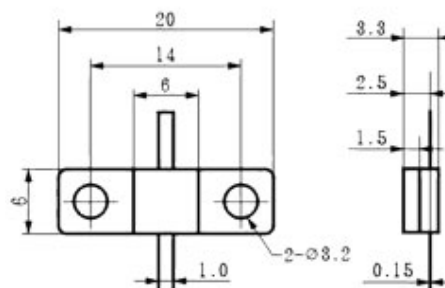
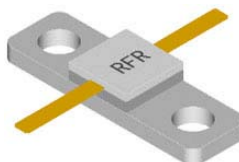
A F B XX-30 ADJ



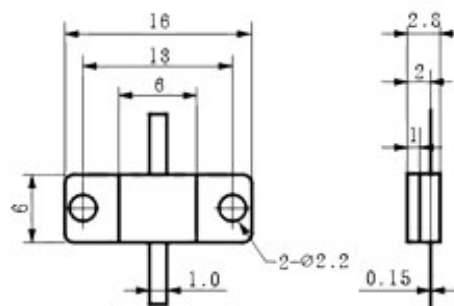
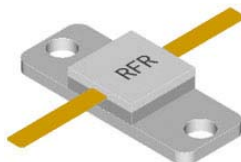
P/N		AFBXX-30ADJ
Power(W)		30
Substrate		BeO
Attenuation(dB) *		1-30
Accuracy(dB)	1-10dB	±0.6
	11-20dB	±0.8
	21-30dB	±1.0
Frequency(GHz)*		DC-3
Resistance(Ω)		50
VSWR		1.20:1 max
Operation Temperature(°C)		-55~+150
Lead Length(mm)*		6



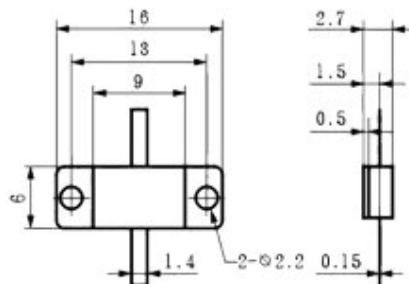
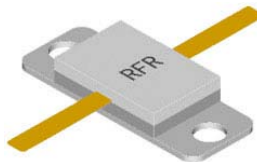
P/N		AFBXX-30ABR
Power(W)		30
Substrate		BeO
Attenuation(dB) *		1-30
Accuracy(dB)	1-10dB	±0.6
	11-20dB	±0.8
	21-30dB	±1.0
Frequency(GHz)*		DC-3
Resistance(Ω)		50
VSWR		1.20:1 max
Operation Temperature(°C)		-55~+150
Lead Length(mm)*		6



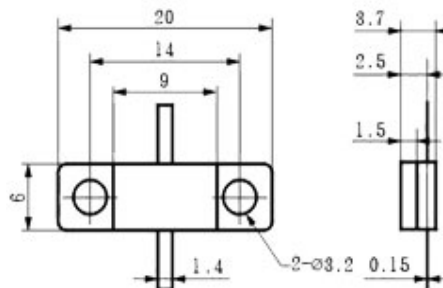
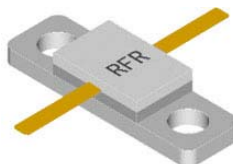
P/N		AFBXX-30ABP
Power(W)		30
Substrate		BeO
Attenuation(dB) *		1-30
Accuracy(dB)	1-10dB	±0.6
	11-20dB	±0.8
	21-30dB	±1.0
Frequency(GHz)*		DC-3
Resistance(Ω)		50
VSWR		1.20:1 max
Operation Temperature(°C)		-55~+150
Lead Length(mm)*		6



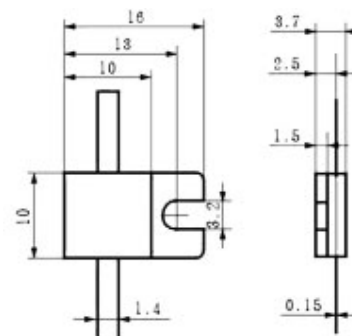
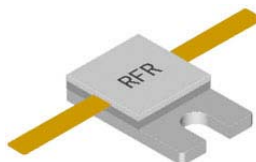
P/N		AFBXX-50ABO
Power(W)		50
Substrate		BeO
Attenuation(dB) *		1-30
Accuracy(dB)	1-10dB	±0.6
	11-20dB	±0.8
	21-30dB	±1.0
Frequency(GHz)*		DC-3
Resistance(Ω)		50
VSWR		1.20:1 max
Operation Temperature(°C)		-55~+150
Lead Length(mm)*		6



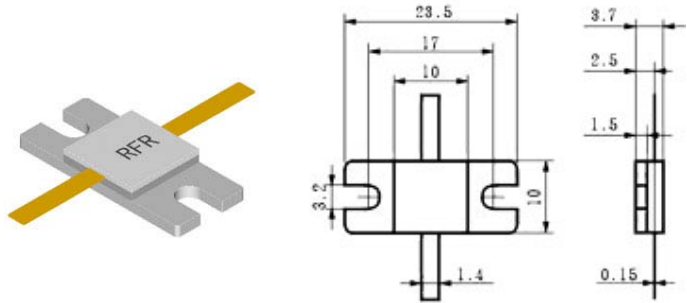
P/N		AFBXX-50ABR
Power(W)		50
Substrate		BeO
Attenuation(dB) *		1-30
Accuracy(dB)	1-10dB	±0.6
	11-20dB	±0.8
	21-30dB	±1.0
Frequency(GHz)*		DC-3
Resistance(Ω)		50
VSWR		1.20:1 max
Operation Temperature(°C)		-55~+150
Lead Length(mm)*		6



P/N		AFBXX-60ADM
Power(W)		60
Substrate		BeO
Attenuation(dB) *		1-30
Accuracy(dB)	1-10dB	±0.6
	11-20dB	±0.8
	21-30dB	±1.0
Frequency(GHz)*		DC-3
Resistance(Ω)		50
VSWR		1.20:1 max
Operation Temperature(°C)		-55~+150
Lead Length(mm)*		6



P/N		AFBXX-60AHE
Power (W)		60
Substrate		BeO
Attenuation(dB) *		1-30
Accuracy(dB)	1-10dB	±0.6
	11-20dB	±0.8
	21-30dB	±1.0
Frequency(GHz)*		DC-3
Resistance(Ω)		50
VSWR		1.20:1 max
Operation Temperature($^{\circ}$ C)		-55~+150
Lead Length(mm)*		6



P/N		AFBXX-100ABAD
Power(W)		100
Substrate		BeO
Attenuation(dB) *		1-30
Accuracy(dB)	1-10dB	±0.6
	11-20dB	±0.8
	21-30dB	±1.0
Frequency(GHz)*		DC-3
Resistance(Ω)		50
VSWR		1.20:1 max
Operation Temperature($^{\circ}$ C)		-55~+150
Lead Length(mm)*		6

