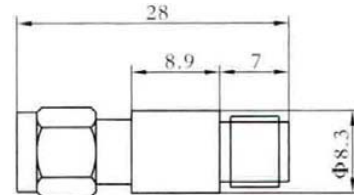


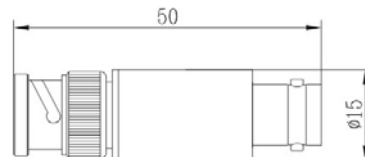
P/N		ACBXX-0.5RS
Power(W)		0.5
Attenuation(dB)*		1-30
Accuracy(dB)	1-10dB	±0.6
	11-20dB	±0.8
	21-30dB	±1.0
Frequency(GHz)*		DC-6
Resistance(Ω)		50
VSWR	DC-3GHz	1.20:1 max
	DC-6GHz	1.25:1 max
Connector*		SMA-M/SMA-F
Operation Temperature(°C)		-55~+85
Size(mm)*		√8.3×28
Weight(KG)		0.007

* Customization is available.



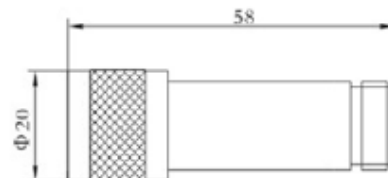
P/N		ACBXX-2RB
Power(W)		2
Attenuation(dB)*		1-30
Accuracy(dB)	1-10dB	±0.6
	11-20dB	±0.8
	21-30dB	±1.0
Frequency(GHz)*		DC-6
Resistance(Ω)		50
VSWR	DC-3GHz	1.20:1 max
	DC-6GHz	1.25:1 max
Connector*		BNC-M/BNC-F
Operation Temperature(°C)		-55~+85
Size(mm)*		√15×50
Weight(KG)		0.03

* Customization is available.



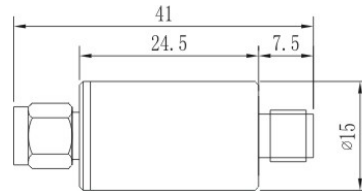
P/N		ACBXX-2RN
Power(W)		2
Attenuation(dB)*		1-30
Accuracy(dB)	1-10dB	±0.6
	11-20dB	±0.8
	21-30dB	±1.0
Frequency(GHz)*		DC-6
Resistance(Ω)		50
VSWR	DC-3GHz	1.15:1 max
	DC-6GHz	1.25:1 max
Connector*		N-M/N-F
Operation Temperature(°C)		-55~+85
Size(mm)*		√20×58
Weight(KG)		0.056

* Customization is available.



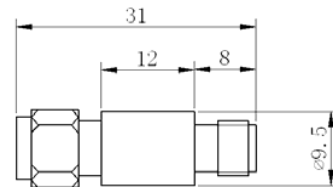
P/N		ACBXX-2RS
Power(W)		2
Attenuation(dB)*		1-30
Accuracy(dB)	1-10dB	±0.6
	11-20dB	±0.8
	21-30dB	±1.0
Frequency(GHz)*		DC-6
Resistance(Ω)		50
VSWR	DC-3GHz	1.15:1 max
	DC-6GHz	1.25:1 max
Connector*		SMA-M/SMA-F
Operation Temperature(°C)		-55~+85
Size(mm)*		√15×41
Weight(KG)		0.023

* Customization is available.



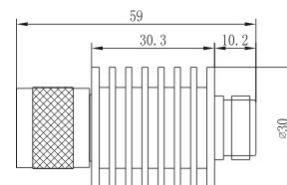
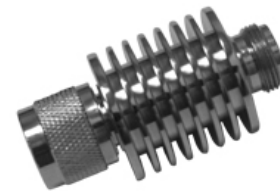
P/N		ACBXX-2RSB
Power(W)		2
Attenuation(dB)*		1-30
Accuracy(dB)	1-10dB	±0.6
	11-20dB	±0.8
	21-30dB	±1.0
Frequency(GHz)*		DC-6
Resistance(Ω)		50
VSWR	DC-3GHz	1.15:1 max
	DC-6GHz	1.25:1 max
Connector*		SMA-M/ SMA-F
Operation Temperature(°C)		-55~+85
Size(mm)*		√9.5×31
Weight(KG)		0.01

* Customization is available.



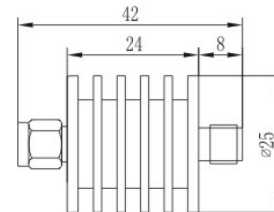
P/N		ACBXX-5RN
Power(W)		5
Attenuation(dB)*		1-30
Accuracy(dB)	1-10dB	±0.6
	11-20dB	±0.8
	21-30dB	±1.0
Frequency(GHz)*		DC-6
Resistance(Ω)		50
VSWR	DC-3GHz	1.20:1 max
	DC-6GHz	1.25:1 max
Connector*		N-M/N-F
Operation Temperature(°C)		-55~+85
Size(mm)*		√30×59
Weight(KG)		0.135

* Customization is available.



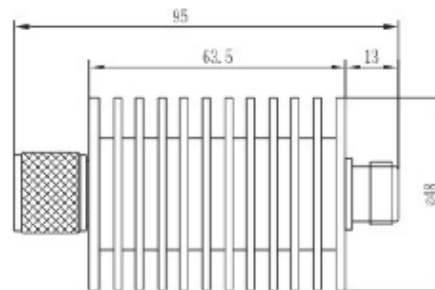
P/N		ACBXX-5RS
Power(W)		5
Attenuation(dB)*		1-30
Accuracy(dB)	1-10dB	±0.6
	11-20dB	±0.8
	21-30dB	±1.0
Frequency(GHz)*		DC-6
Resistance(Ω)		50
VSWR	DC-3GHz	1.20:1 max
	DC-6GHz	1.25:1 max
Connector*		SMA-M/SMA-F
Operation Temperature($^{\circ}$ C)		-55~+85
Size(mm)*		$\sqrt{25 \times 42}$
Weight(KG)		0.056

* Customization is available.



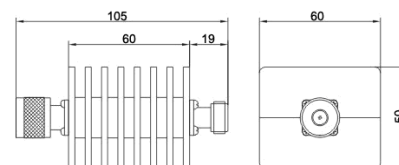
P/N		ACBXX-10RN
Power(W)		10
Attenuation(dB)*		1-30
Accuracy(dB)	1-10dB	±0.6
	11-20dB	±0.8
	21-30dB	±1.0
Frequency(GHz)*		DC-6
Resistance(Ω)		50
VSWR	DC-3GHz	1.20:1 max
	DC-6GHz	1.25:1 max
Connector*		N-M/N-F
Operation Temperature($^{\circ}$ C)		-55~+85
Size(mm)*		$\sqrt{48 \times 95}$
Weight(KG)		0.229

* Customization is available.



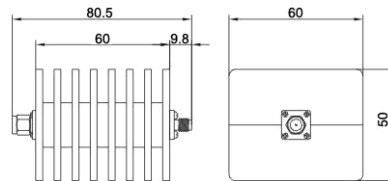
P/N		ACBXX-10SN
Power(W)		10
Attenuation(dB)*		1-30
Accuracy(dB)	1-10dB	±0.6
	11-20dB	±0.8
	21-30dB	±1.0
Frequency(GHz)*		DC-6
Resistance(Ω)		50
VSWR	DC-3GHz	1.20:1 max
	DC-6GHz	1.25:1 max
Connector*		N-M/N-F
Operation Temperature($^{\circ}$ C)		-55~+85
Size(mm)*		60×60×50
Weight(KG)		0.307

* Customization is available.



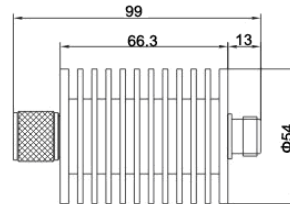
P/N	ACBXX-10SS	
Power(W)	10	
Attenuation(dB)*	1-30	
Accuracy(dB)	1-10dB	±0.6
	11-20dB	±0.8
	21-30dB	±1.0
Frequency(GHz)*	DC-6	
Resistance(Ω)	50	
VSWR	DC-3GHz	1.20:1 max
	DC-6GHz	1.25:1 max
Connector*	SMA-M/SMA-F	
Operation Temperature(°C)	-55~+85	
Size(mm)*	60×60×50	
Weight(KG)	0.263	

* Customization is available.



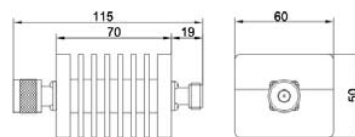
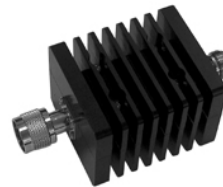
P/N	ACBXX-20RN	
Power(W)	20	
Attenuation(dB)*	1-30	
Accuracy(dB)	1-10dB	±0.6
	11-20dB	±0.8
	21-30dB	±1.0
Frequency(GHz)*	DC-6	
Resistance(Ω)	50	
VSWR	DC-3GHz	1.20:1 max
	DC-6GHz	1.35:1 max
Connector*	N-M/N-F	
Operation Temperature(°C)	-55~+85	
Size(mm)*	√54×99	
Weight(KG)	0.3	

* Customization is available.



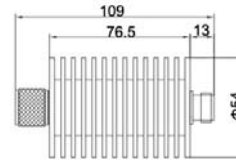
P/N	ACBXX-20SN	
Power(W)	20	
Attenuation(dB)*	1-30	
Accuracy(dB)	1-10dB	±0.6
	11-20dB	±0.8
	21-30dB	±1.0
Frequency(GHz)*	DC-6	
Resistance(Ω)	50	
VSWR	DC-3GHz	1.20:1 max
	DC-6GHz	1.35:1 max
Connector*	N-M/N-F	
Operation Temperature(°C)	-55~+85	
Size(mm)*	70×60×50	
Weight(KG)	0.385	

* Customization is available.



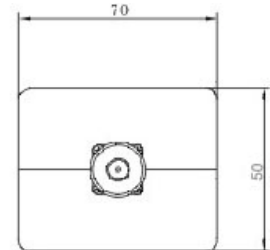
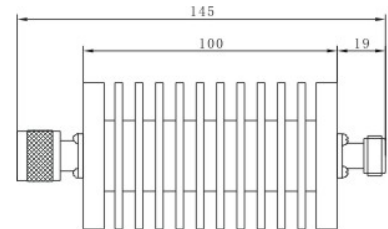
P/N		ACBXX-30RN
Power(W)		30
Attenuation(dB)*		1-30
Accuracy(dB)	1-10dB	±0.6
	11-20dB	±0.8
	21-30dB	±1.0
Frequency(GHz)*		DC-6
Resistance(Ω)		50
VSWR	DC-3GHz	1.20:1 max
	DC-6GHz	1.35:1 max
Connector*		N-M/N-F
Operation Temperature(°C)		-55~+85
Size(mm)*		√54×109
Weight(KG)		0.58

* Customization is available.



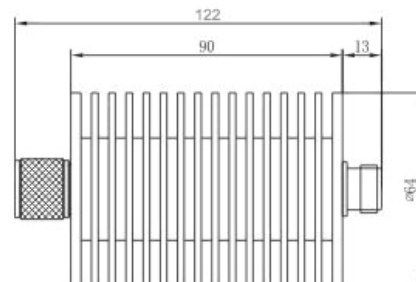
P/N		ACBXX-30SN
Power(W)		30
Attenuation(dB)*		1-30
Accuracy(dB)	1-10dB	±0.6
	11-20dB	±0.8
	21-30dB	±1.0
Frequency(GHz)*		DC-6
Resistance(Ω)		50
VSWR	DC-3GHz	1.20:1 max
	DC-6GHz	1.35:1 max
Connector*		N-M/N-F
Operation Temperature(°C)		-55~+85
Size(mm)*		100×70×50
Weight(KG)		0.63

* Customization is available.



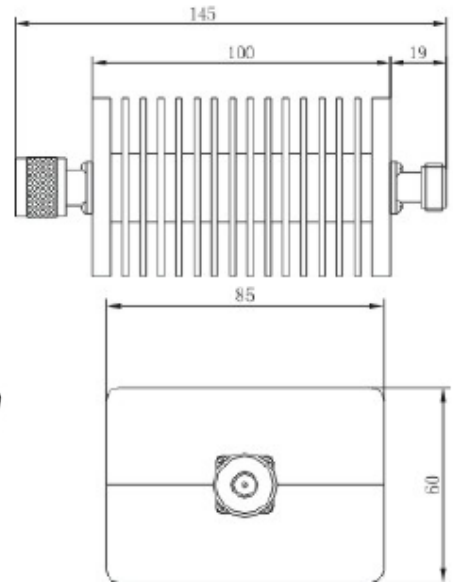
P/N		ACBXX-50RN
Power(W)		50
Attenuation(dB)*		1-30
Accuracy(dB)	1-10dB	±0.6
	11-20dB	±0.8
	21-30dB	±1.0
Frequency(GHz)*		DC-6
Resistance(Ω)		50
VSWR	DC-3GHz	1.20:1 max
	DC-6GHz	1.35:1 max
Connector*		N-M/N-F
Operation Temperature(°C)		-55~+85
Size(mm)*		√64×122
Weight(KG)		0.5

* Customization is available.



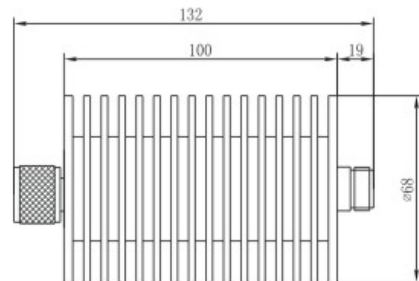
P/N		ACBXX-50SN
Power(W)		50
Attenuation(dB)*		1-30
Accuracy(dB)	1-10dB	±0.6
	11-20dB	±0.8
	21-30dB	±1.0
Frequency(GHz)*		DC-6
Resistance(Ω)		50
VSWR	DC-3GHz	1.20:1 max
	DC-6GHz	1.35:1 max
Connector*		N-M/N-F
Operation Temperature(°C)		-55~+85
Size(mm)*		100×85×60
Weight(KG)		0.994

* Customization is available.



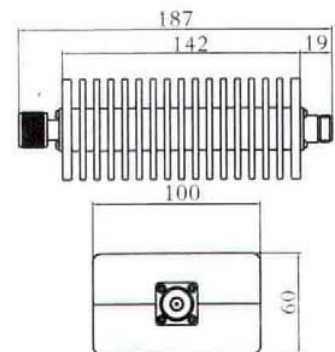
P/N		ACBXX-80RN
Power(W)		80
Attenuation(dB)*		1-30
Accuracy(dB)	1-10dB	±0.6
	11-20dB	±0.8
	21-30dB	±1.0
Frequency(GHz)*		DC-6
Resistance(Ω)		50
VSWR	DC-3GHz	1.20:1 max
	DC-6GHz	1.35:1 max
Connector*		N-M/N-F
Operation Temperature(°C)		-55~+85
Size(mm)*		√68×132
Weight(KG)		0.535

* Customization is available.



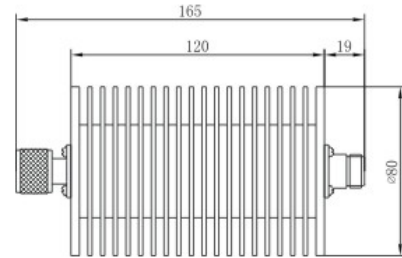
P/N		ACBXX-80SN
Power(W)		80
Attenuation(dB)*		1-30
Accuracy(dB)	1-10dB	±0.6
	11-20dB	±0.8
	21-30dB	±1.0
Frequency(GHz)*		DC-6
Resistance(Ω)		50
VSWR	DC-3GHz	1.20:1 max
	DC-6GHz	1.35:1 max
Connector*		N-M/N-F
Operation Temperature(°C)		-55~+85
Size(mm)*		142×100×60
Weight(KG)		1.355

* Customization is available.



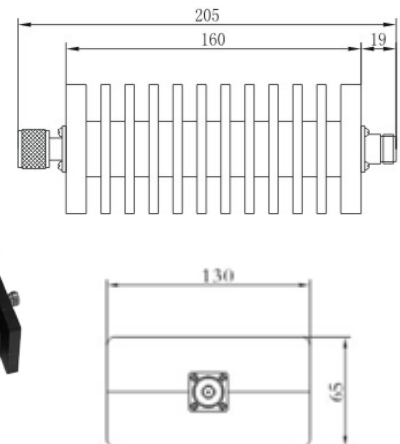
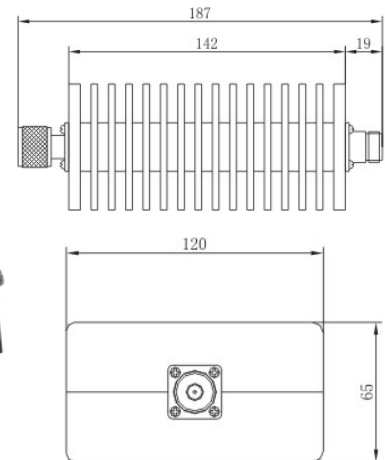
P/N		ACBXX-100RN
Power(W)		100
Attenuation(dB)*		1-30
Accuracy(dB)	1-10dB	±0.6
	11-20dB	±0.8
	21-30dB	±1.0
Frequency(GHz)*		DC-6
Resistance(Ω)		50
VSWR	DC-3GHz	1.20:1 max
	DC-6GHz	1.35:1 max
Connector*		N-M/N-F
Operation Temperature(°C)		-55~+85
Size(mm)*		√80×165
Weight(KG)		0.84

* Customization is available.



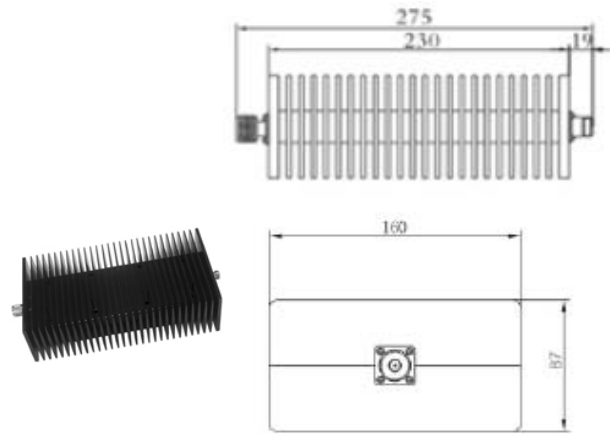
P/N		ACBXX-100SN
Power(W)		100
Attenuation(dB)*		1-30
Accuracy(dB)	1-10dB	±0.6
	11-20dB	±0.8
	21-30dB	±1.0
Frequency(GHz)*		DC-6
Resistance(Ω)		50
VSWR	DC-3GHz	1.20:1 max
	DC-6GHz	1.35:1 max
Connector*		N-M/N-F
Operation Temperature(°C)		-55~+85
Size(mm)*		142×120×65
Weight(KG)		2.1

* Customization is available.



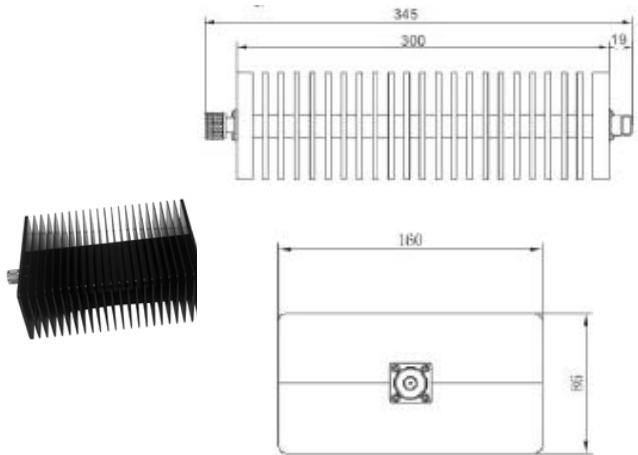
P/N	ACBXX-200SN	
Power(W)	200	
Attenuation(dB)*	1-30	
Accuracy(dB)	1-10dB	±0.6
	11-20dB	±0.8
	21-30dB	±1.0
Frequency(GHz)*	DC-3	
Resistance(Ω)	50	
VSWR	1.20:1 max	
Connector*	N-M/N-F	
Operation Temperature(°C)	-55~+85	
Size(mm)*	230×160×87	
Weight(KG)	4.2	

* Customization is available.



P/N	ACBXX-300SN	
Power(W)	300	
Attenuation(dB)*	1-30	
Accuracy(dB)	1-10dB	±0.6
	11-20dB	±0.8
	21-30dB	±1.0
Frequency(GHz)*	DC-3	
Resistance(Ω)	50	
VSWR	1.20:1 max	
Connector*	N-M/N-F	
Operation Temperature(°C)	-55~+85	
Size(mm)*	300×160×86	
Weight(KG)	5.1	

* Customization is available.



P/N	ACBXX-500SN	
Power(W)	500	
Attenuation(dB)*	1-30	
Accuracy(dB)	1-10dB	±0.6
	11-20dB	±0.8
	21-30dB	±1.0
Frequency(GHz)*	DC-3	
Resistance(Ω)	50	
VSWR	1.25:1 max	
Connector*	N-M/N-F	
Operation Temperature(°C)	-55~+85	
Size(mm)*	400×245×97	
Weight(KG)	7.5	

* Customization is available.

