



PIN LIMITER

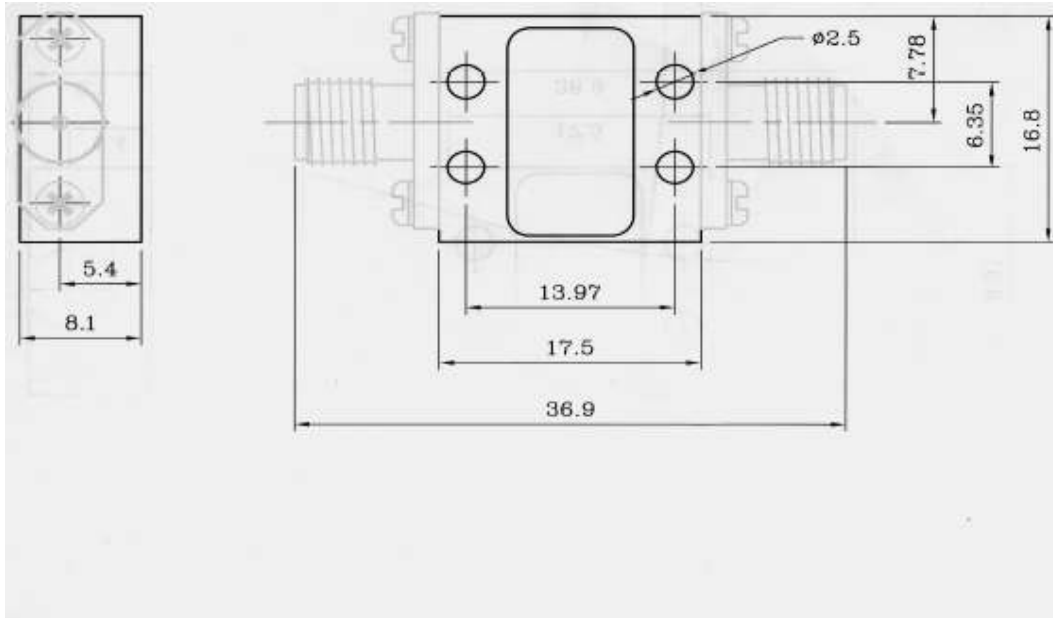
Specification may change without notification 8/20/2011. RoHS compliant available on request only.



0.3-18GHz

Model	Freq. Range (GHz)	Insertion Loss (-10dBm CW Input) (dB Max)	Limiting (CW input) (W Max)	Limiting (Peak Power With 1 μ s PW and 1kHz period) (W Max)	VSWR (-10dBm CW input) (Max)	Leakage Power (1W CW input) (dBm Max)	Case
PL-1060	1-18	2.5	2	200	2	13	SMH
PL-1061	1-18	2.5	2	200	2	13	SMH
PL-1062	1-18	2.5	2	200	2	13	SMH
PL-1063	1-18	2.5	2	200	2	21	SMH
PL-1064	1-18	2.5	2	200	2	21	SMH
PL-1065	0.3-2	1	2	200	2	10	SMH

Outline Drawings



SMH