



COUPLER

Specification may change without notification 8/20/2011. RoHS compliant available on request only.



Directional Couplers 1~18GHz

Model	Freq. Range (GHz)	Coupling (dB)	Flatness (dB) Max	Directivity (dB) Typ.	Input VSWR (Typ.)	Insertion Loss (dB) Typ.	Case
DIRC-1020-06	1-2	6±1	±0.75	15	1.4	0.6	OH01
DIRC-1020-10	1-2	10±1	±0.8	15	1.4	0.6	OH01
DIRC-1020-20	1-2	20±1.5	±1	15	1.4	0.6	OH02
DIRC-1080-06	1-8	6±1	±1	15/13	1.4	0.6	OH03
DIRC-1080-10	1-8	10±1	±1	15	1.4	0.6	OH03
DIRC-1080-20	1-8	20±1.5	±2	15	1.4	0.6	OH03
DIRC-2040-06	2-4	6±1	±0.75	15	1.4	0.6	OH04
DIRC-2040-10	2-4	10±1	±0.8	15	1.4	0.6	OH04
DIRC-2040-20A	2-4	20±1	±1	12	1.5	1	OH05
DIRC-2040-20B	2-4	20±1	±1	15	1.4	0.6	OH04
DIRC-4080-10	4-8	10±1	±1	15	1.4	0.6	OH06
DIRC-4080-20A	4-8	20±1	±1	15	1.4	0.6	OH06
DIRC-80180-06B	8-18	6±1	±1	10	1.8	0.75	OH07
DIRC-80180-10A	8-18	10±1	±1	7	1.8	0.75	OH07
DIRC-80180-10B	8-18	10±1	±1	10	1.8	0.75	OH06
DIRC-80180-20	8-18	20±1.5	±2	10	1.8	0.75	OH08

3dB Couplers 1~18GHz

Model	Freq. Range (GHz)	Isolation (dB) Min	Input VSWR (Typ.)	Insertion Loss Input (dB) Max	Amplitude Unbalance (dB) Max	Phase Unbalance (°) Max	Case
3dBC-1020	1-2	22	1.3	0.5	±0.6	±5	OH09
3dBC-1040	1-4	20	1.4	0.5	±0.6	±5	OH10
3dBC-2040	2-4	20	1.3	0.5	±0.6	±5	OH11
3dBC-4080	4-8	18	1.4	0.5	±0.6	±5	OH12
3dBC-60180	6-18	15	1.5	1.0	±0.6	±5	OH12



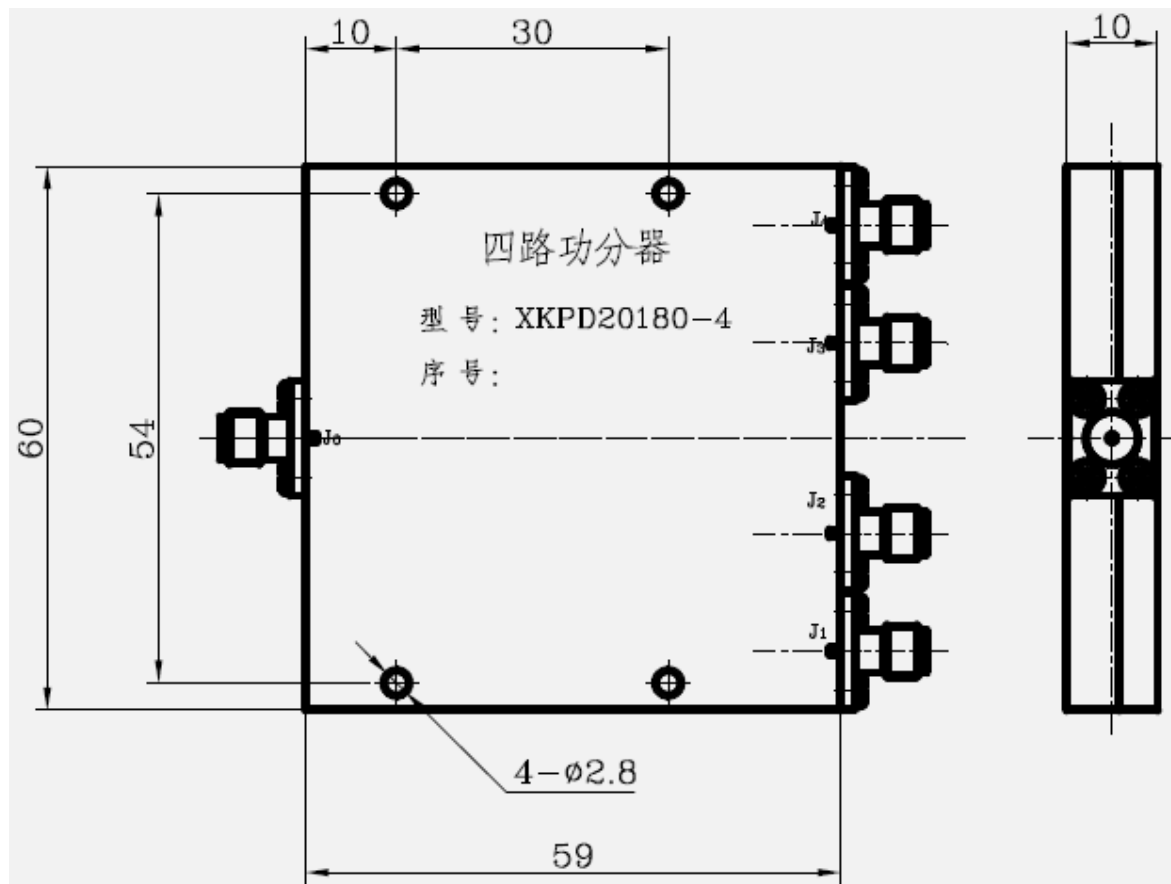
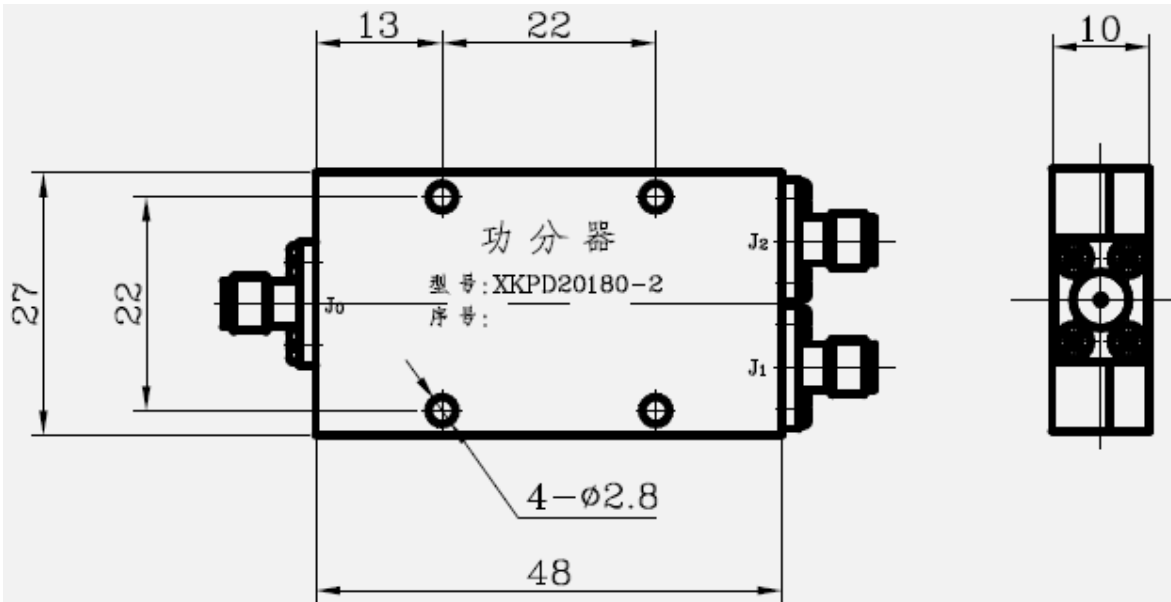
COUPLER

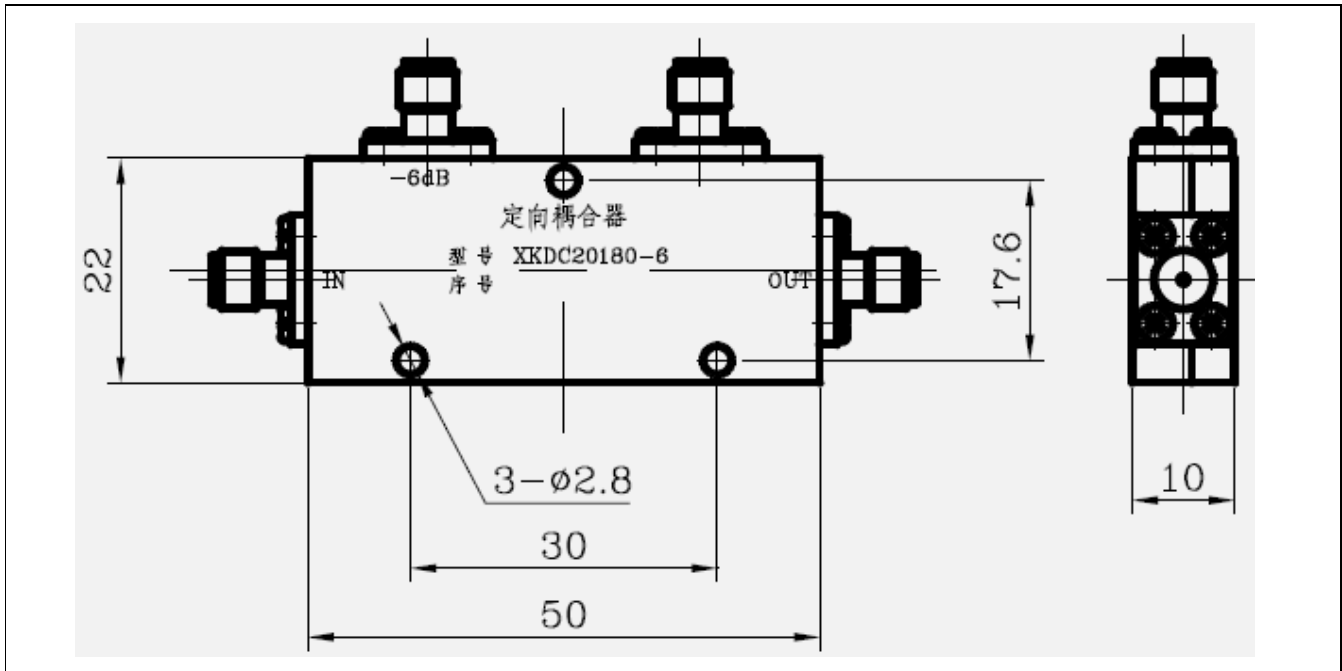
Specification may change without notification 8/20/2011. RoHS compliant available on request only.



Outline Drawings

Directional Couplers





3dB Couplers

